



NEW
SHORT LEAD TIMES
www.fci.com/basicsleadtimes



Product Catalog
2.54 mm SECTION



2.54 mm (.100")

TECHNICAL DATA

PHYSICAL

- Housing: High temperature, black thermoplastic
- Flammability rating: UL 94 V-0
- Pin: Phosphor-bronze
- Plating: Gold or tin over 1.27 μm (50 μ") nickel

ELECTRICAL PERFORMANCE

- Current rating: 3 A continuous
- Insulation resistance: 5000 MΩ min.
- Dielectric withstanding voltage: 1500 V

MECHANICAL PERFORMANCE

- Pin retention to housing: 9 N min.



OPERATING TEMPERATURE RANGE

- -65°C to +125°C

PACKAGING

- Standard: Bags
- Optional: Tubes or
Tape-and-reel with pick-up cap
(SMT pin style 01 only)

REFERENCE INFORMATION

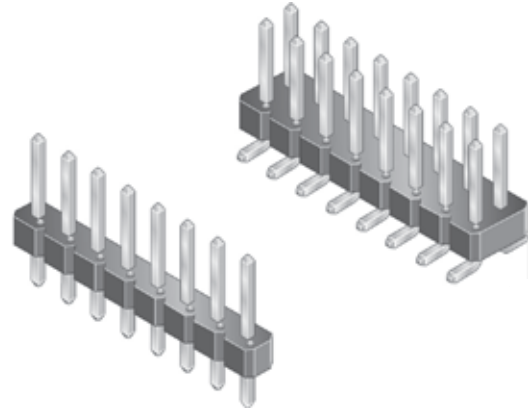
-  File no. E66906
-  File no. LR46923
- Product drawing: By 5-digit base part number
- Product specification: BUS-12-114
- Tape and Reel packaging data: TA-840

PROCESSING INFORMATION

- Compatible with wave, vapor-phase, and (for SMT) IR reflow soldering processes
- Recommended IR profile TA 842 for SMT

RoHs INFORMATION

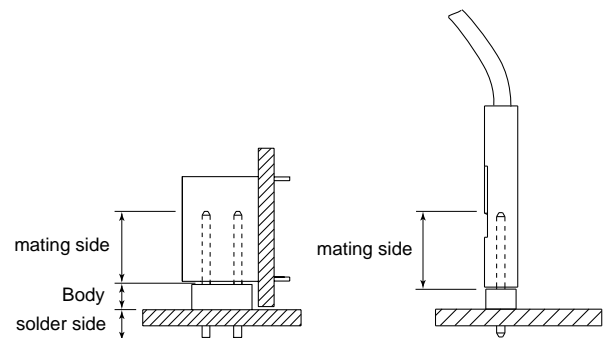
- This product is RoHs compatible according to the European Union Directive 2002/95/IEC



MATING DATA

■ Dubox™ Crimp-to-wire contacts	32
■ Dubox™ Crimp-to-wire housings	34
■ Dubox™ Vertical receptacles	22
■ Dubox™ Low profile vertical receptacles	24, 26
■ Dubox™ Horizontal receptacles	28
■ Quickie™ IDC receptacles	48
■ PV™ Crimp-to-Wire Contacts	38
■ PV™ Crimp-to-Wire Housings	40

TYPICAL APPLICATIONS



BergStik® Unshrouded Header, Vertical, Standard Sizes

2.54 mm (.100")

PART NUMBERS



Through mount
77311 = Single Row
77313 = Double Row

Surface mount
95293 = Single Row
95278 = Double Row

02 to 36 = Single row TMT
03 to 17 = Single Row SMT
04 to 72 = Double row TMT
04 to 50 = Double Row SMT
08 to 50 = Double Row SMT with pegs

Surface mount		Through mount			
Pin style	Mating	Pin style	Mating	Solder	overall length (OAL)
01	5.84	01	5.84	2.41	10.80
02	8.08	18	5.84	3.05	11.43
		02	5.84	3.42	11.80
		27	6.60	2.66	11.82
		22	7.75	3.06	13.35
		24	6.75	2.90	12.20

Option	Packaging
-	Plastic bag
A	Tape-and-reel with pick-up cap*
B	Tube with pick-up cap
	availability on request

1 = 0.76 μm (30μ")gold/GXT on mating area, tin on solder side
4 = tin
8 = 0.38 μm (15μ")gold/GXT on mating area, tin on solder side

77311	-	101	-	XXLF
77311	-	118	-	XXLF
77311	-	124	-	XXLF
77313	-	101	-	XXLF
77313	-	118	-	XXLF
77313	-	124	-	XXLF
95278	-	101	A	XXLF

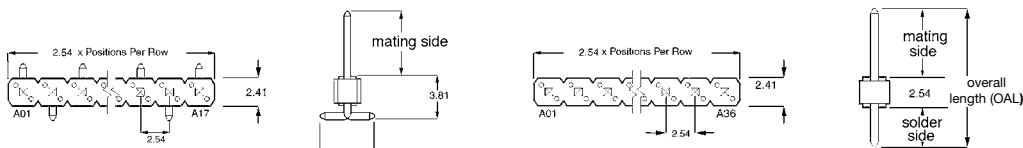
CORE RANGE

XX = 04, 06, 08, 10, 12, 16, 20

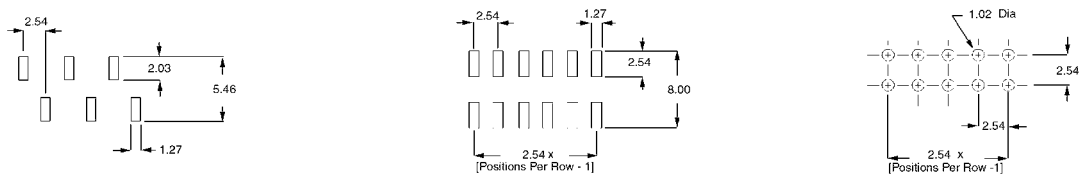
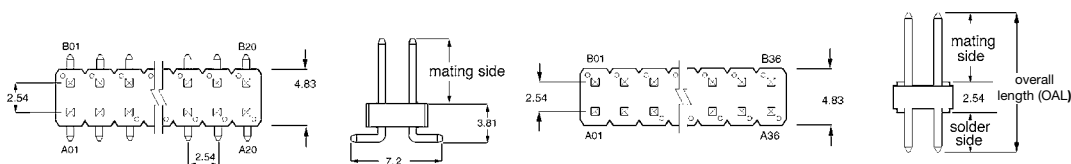
*as available

PRODUCT

0,62 square pin



0,62 square pin



Recommended PCB layouts

Dimension in mm

2.54 mm (.100")

TECHNICAL DATA

PHYSICAL

- Housing: High temperature, black thermoplastic
- Flammability rating: UL 94 V-0
- Pin: Phosphor-bronze
- Plating: Gold or tin over 1.27 μm (50 μ") nickel



ELECTRICAL PERFORMANCE

- Current rating: 3 A continuous
- Insulation resistance: 5000 MΩ min.
- Dielectric withstanding voltage: 1500 V

MECHANICAL PERFORMANCE

- Pin retention to housing: 9 N min.
- Retentive leg insertion force: >44.48 N max.
- Retentive leg board retention: 2.22 N

OPERATING TEMPERATURE RANGE

- -65°C to +125°C

PACKAGING

- Standard: Bags
- Optional: Tubes or Tape-and-reel with pick-up cap (SMT pin style 01 only)

REFERENCE INFORMATION

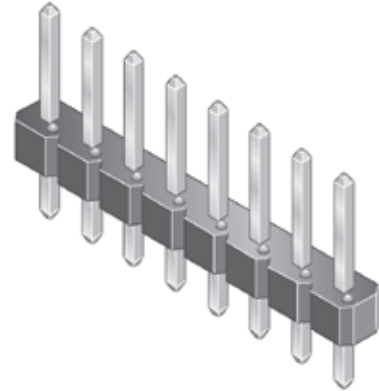
- File no. E66906
- File no. LR46923
- Product drawing: By 5-digit base part number
- Product specification: BUS-12-114

PROCESSING INFORMATION

- Compatible with wave, vapor-phase, and IR reflow soldering processes

RoHS INFORMATION

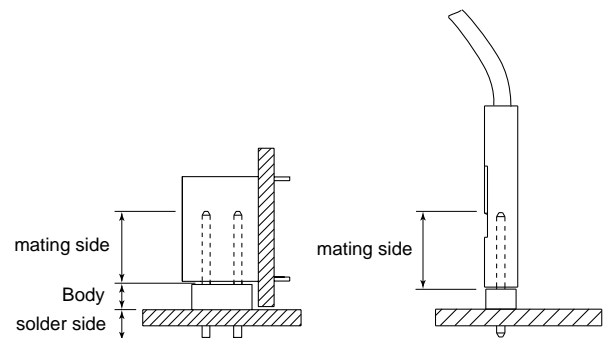
- This product is RoHS compatible according to the European Union Directive 2002/95/IEC



MATING DATA

■ Dubox™ Crimp-to-wire contacts	32
■ Dubox™ Crimp-to-wire housings	34
■ Dubox™ Vertical receptacles	22
■ Dubox™ Low profile vertical receptacles	24, 26
■ Dubox™ Horizontal receptacles	28
■ Quickie™ IDC receptacles	48
■ PV™ Crimp-to-Wire Contacts	38
■ PV™ Crimp-to-Wire Housings	40

TYPICAL APPLICATIONS

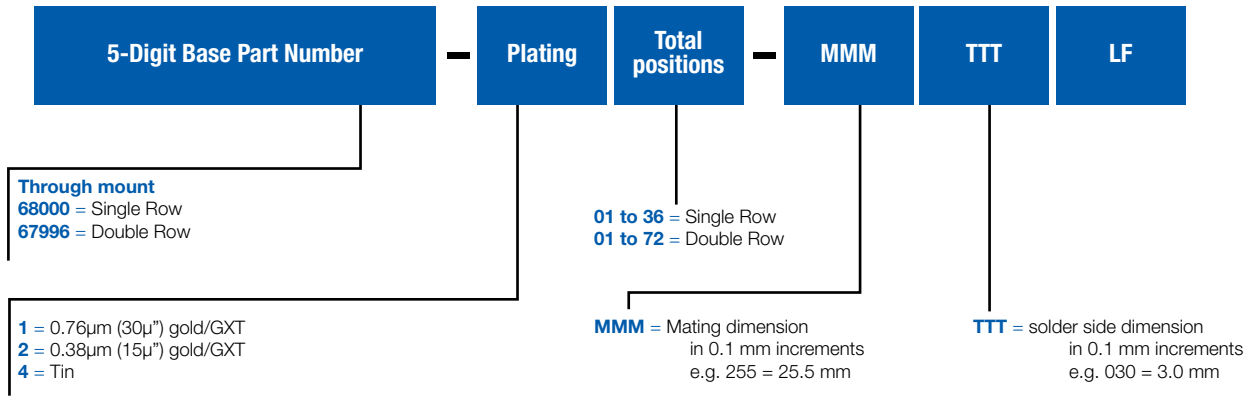


BergStik® Unshrouded Header, Vertical, Custom Sizes

2.54 mm (.100")

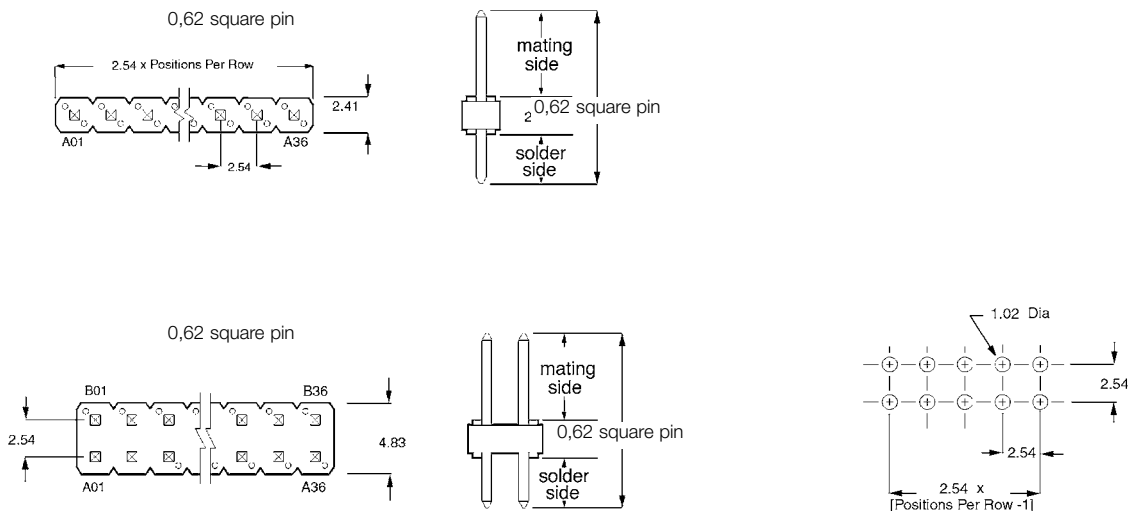
PART NUMBERS

Compile your own part number using custom dimensions (Please allow for initial setup on our system)



- Note:**
1. The total combined dimension for mating and solder side may not exceed 27 mm
 2. Standard packaging in bulk
 3. Special packaging availability upon request

PRODUCT



Recommended PCB layouts

Dimension in mm

2.54 mm (.100")

FEATURES

- Continuously molded and reeled
- High temperature plastic
- Various lengths cut from 1 part number
- Benchtop machine cuts, polarizes, and applies retentive leg

TECHNICAL DATA

PHYSICAL

- Housing: High temperature, black thermoplastic
- Flammability rating: UL 94 V-0
- Pin: Phosphor-bronze
- Plating: Gold or tin over 1.27 µm (50 µ") nickel



ELECTRICAL PERFORMANCE

- Current rating: 3 A continuous
- Insulation resistance: 5000 MΩ min.
- Dielectric withstanding voltage: 1500 V

MECHANICAL PERFORMANCE

- Pin retention to housing: 9 N min.

OPERATING TEMPERATURE RANGE

- 65°C to +125°C

PACKAGING

- Reel

REFERENCE INFORMATION

- File no. E66906
- File no. LR46923
- Product drawing: 54101 or 54102
- Product specification: BUS-12-059

PROCESSING INFORMATION

- Compatible with wave, vapor-phase, and IR reflow soldering processes

RoHs INFORMATION

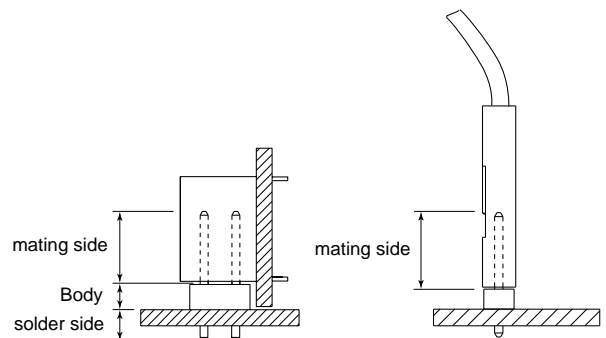
- This product is RoHs compatible according to the European Union Directive 2002/95/IEC



MATING DATA

■ Dubox™ Crimp-to-wire contacts	32
■ Dubox™ Crimp-to-wire housings	34
■ Dubox™ Vertical receptacles	22
■ Dubox™ Low profile vertical receptacles	24, 26
■ Dubox™ Horizontal receptacles	28
■ Quickie™ IDC receptacles	48
■ PV™ Crimp-to-Wire Contacts	38
■ PV™ Crimp-to-Wire Housings	40

TYPICAL APPLICATIONS



BergStik® Unshrouded Header, Continuous

2.54 mm (.100")

PART NUMBERS

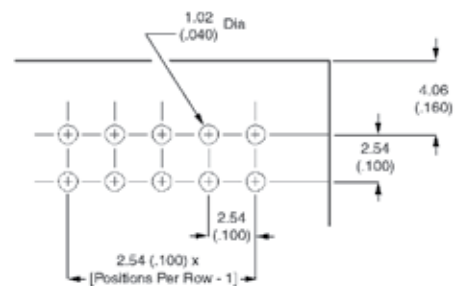
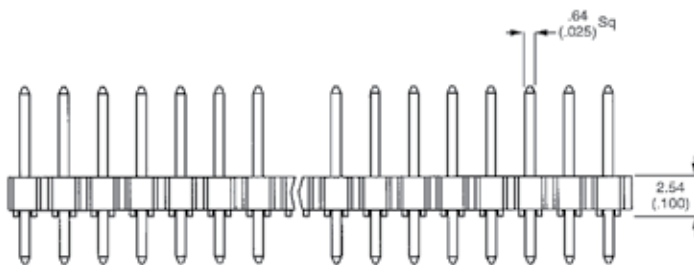
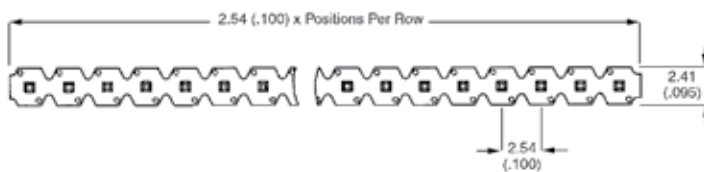


Through mount
77311 = Single Row
77313 = Double Row

1 = 0.76µm (30µ") gold/GXT on mating area, tin on solder side
4 = tin
8 = 0.38µm (15µ") gold/GXT on mating area, tin on solder side

Pin Style	mating length	solder length	overall length (OAL)
01	5.84	2.41	10.80
18	5.84	3.05	11.43
02	5.84	3.42	11.80
27	6.60	2.66	11.82
22	7.75	3.06	13.35
24	6.75	2.90	12.20

PRODUCT



Recommended PCB layouts

Dimension in mm

2.54 mm (.100")

FEATURES

- High temperature plastic
- Selective plating

TECHNICAL DATA

PHYSICAL

- Housing: High temperature, black thermoplastic
- Flammability rating: UL 94 V-0
- Pin: Phosphor-bronze
- Plating: Gold or tin over 1.27 µm (50 µ") nickel



ELECTRICAL PERFORMANCE

- Current rating: 3 A continuous
- Insulation resistance: 5000 MΩ min.
- Dielectric withstanding voltage: 1500 V

MECHANICAL PERFORMANCE

- Pin retention to housing: 9 N min.

OPERATING TEMPERATURE RANGE

- 65°C to +125°C

PACKAGING

- Bags

REFERENCE INFORMATION

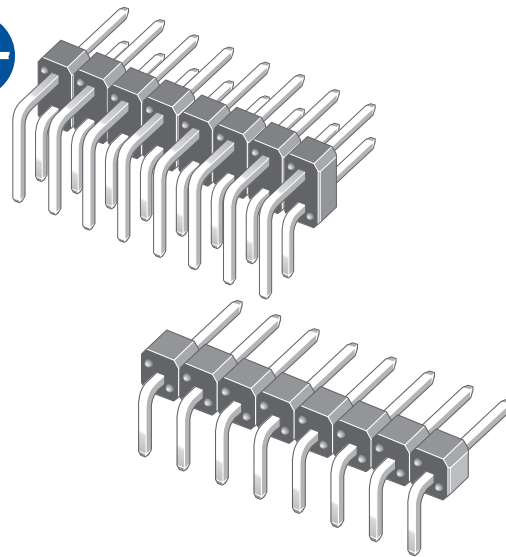
- File no. E66906
- File no. LR46923
- Product drawing: By 5-digit base part number
- Product specification: BUS-12-114

PROCESSING INFORMATION

- Compatible with wave, vapor-phase, and IR reflow soldering processes

RoHs INFORMATION

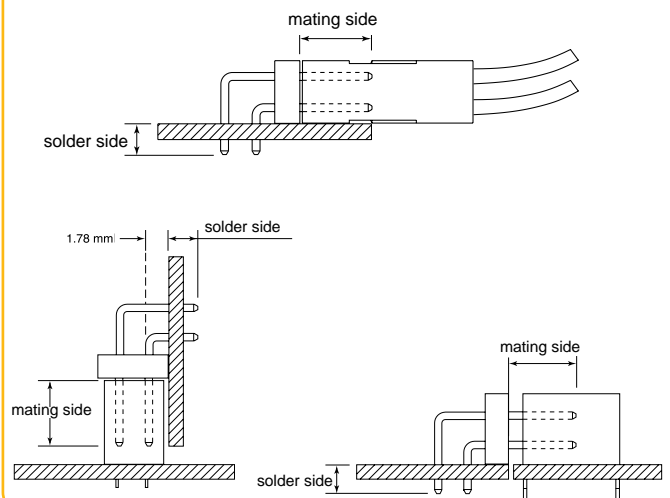
- This product is RoHs compatible according to the European Union Directive 2002/95/IEC



MATING DATA

■ Dubox™ Crimp-to-wire contacts	32
■ Dubox™ Crimp-to-wire housings	34
■ Dubox™ Vertical receptacles	22
■ Dubox™ Low profile vertical receptacles	24, 26
■ Dubox™ Horizontal receptacles	28
■ Quickie™ IDC receptacles	48
■ PV™ Crimp-to-Wire Contacts	38
■ PV™ Crimp-to-Wire Housings	40

TYPICAL APPLICATIONS



BergStik® Unshrouded Header, Right Angle, Standard Sizes

2.54 mm (.100")

PART NUMBERS



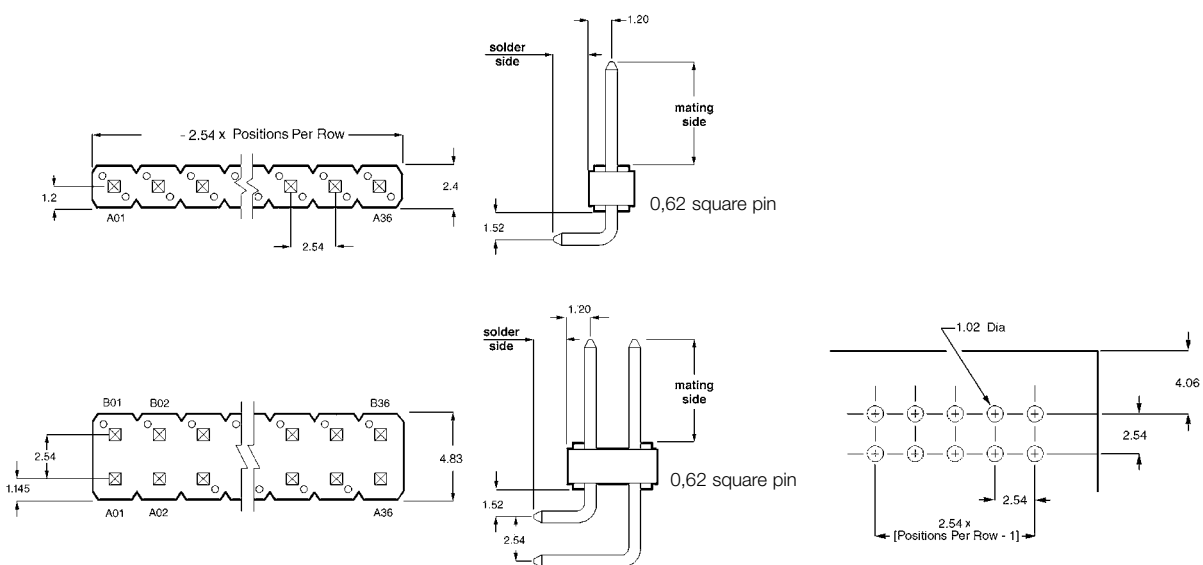
Through mount
77315 = Single Row
77317 = Double Row

02 to 36 = Single row TMT
04 to 72 = Double row TMT

Pin style		Mating	Solder
77315	77317		
01	03	5.84	2.41
18	04	5.84	3.05
24	12	6.75	2.90

1 = 0.76 µm (30µ") gold/GXT on mating area, tin on solder side
4 = tin
8 = 0.38 µm (15µ") gold/GXT on mating area, tin on solder side

PRODUCT



Dimension in mm

Recommended PCB layouts

2.54 mm (.100")

TECHNICAL DATA

PHYSICAL

- Housing: High temperature, black thermoplastic
- Flammability rating: UL 94 V-0
- Pin: Phosphor-bronze
- Plating: Gold or tin over 1.27 μm (50 μin) nickel



ELECTRICAL PERFORMANCE

- Current rating: 3 A continuous
- Insulation resistance: 5000 M Ω min.
- Dielectric withstanding voltage: 1500 V

MECHANICAL PERFORMANCE

- Pin retention to housing: 9 N min.
- Retentive leg insertion force: >44.48 N max.
- Retentive leg board retention: 2.22 N

OPERATING TEMPERATURE RANGE

- -65°C to +125°C

PACKAGING

- Bags

REFERENCE INFORMATION

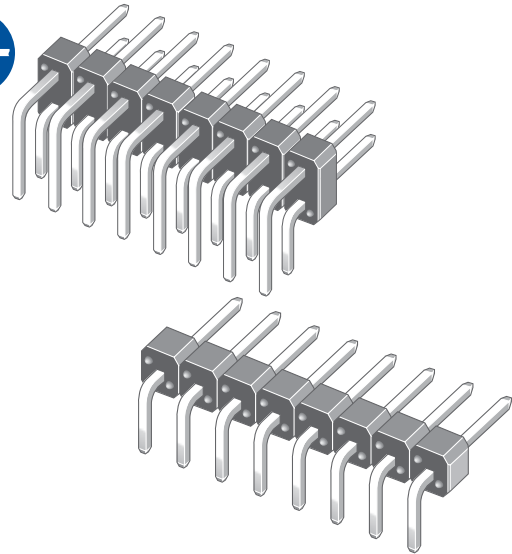
- File no. E66906
- File no. LR46923
- Product drawing: 55101 or 55102
- Product specification: BUS-12-114

PROCESSING INFORMATION

- Compatible with wave, vapor-phase, and IR reflow soldering processes

RoHS INFORMATION

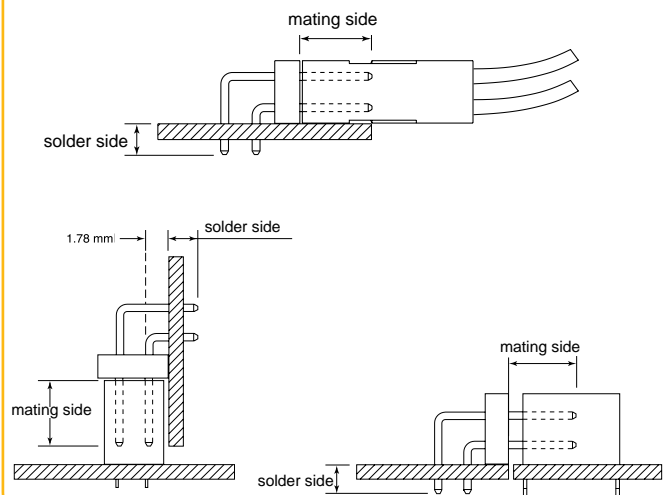
- This product is RoHS compatible according to the European Union Directive 2002/95/IEC



MATING DATA

■ Dubox™ Crimp-to-wire contacts	32
■ Dubox™ Crimp-to-wire housings	34
■ Dubox™ Vertical receptacles	22
■ Dubox™ Low profile vertical receptacles	24, 26
■ Dubox™ Horizontal receptacles	28
■ Quickie™ IDC receptacles	48
■ PV™ Crimp-to-Wire Contacts	38
■ PV™ Crimp-to-Wire Housings	40

TYPICAL APPLICATIONS

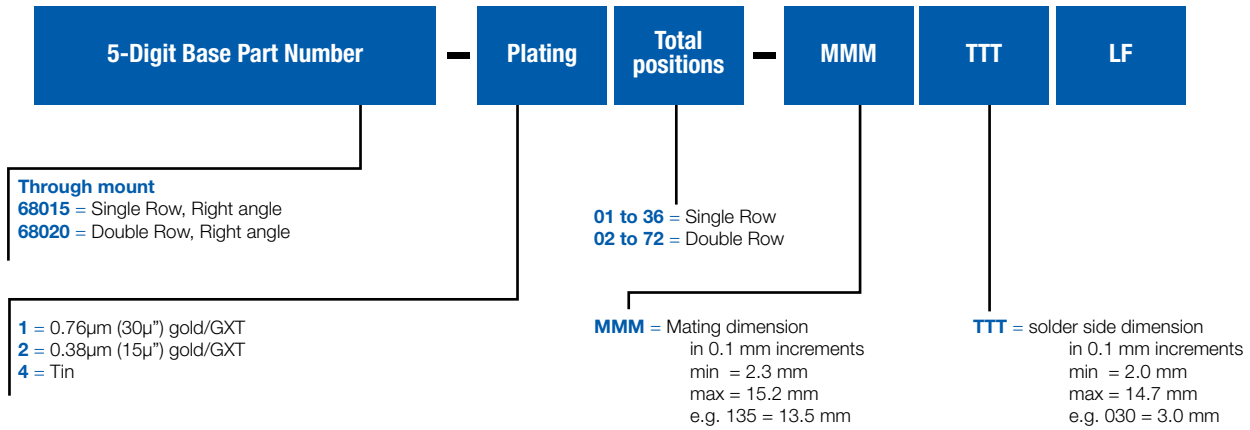


BergStik® Unshrouded Header, Right Angle, Custom Sizes

2.54 mm (.100")

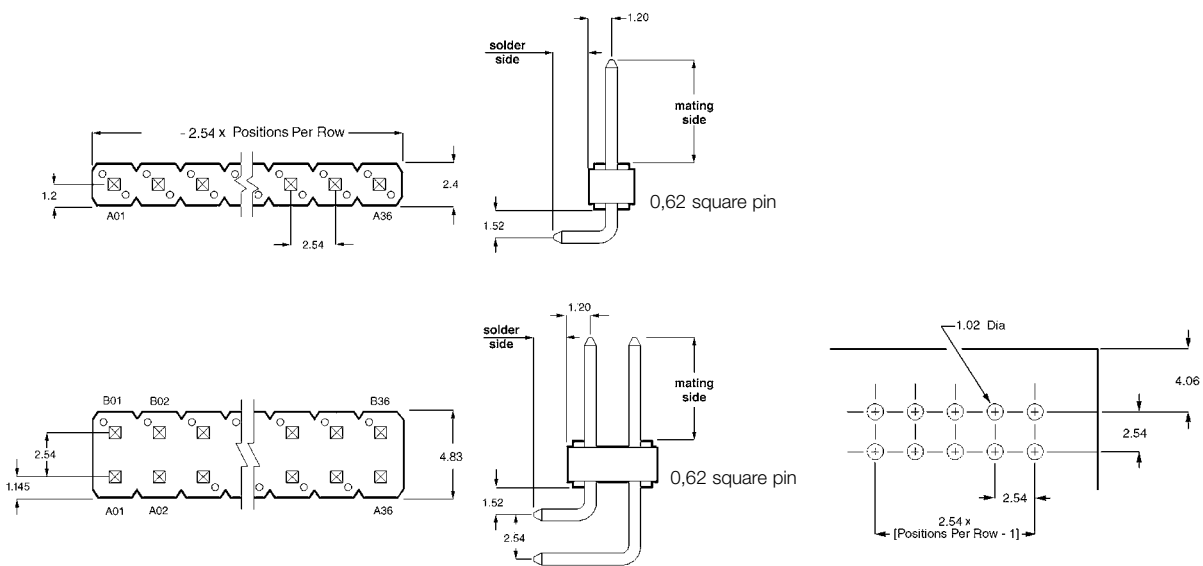
PART NUMBERS

Compile your own part number using custom dimensions (Please allow for initial setup on our system)



- Note:** 1. Bend dimension 1.52 mm only
 2. The total combined dimension for mating and solder side may not exceed 25,5 mm

PRODUCT



Dimension in mm

Recommended PCB layouts

2.54 mm (.100")

FEATURES

- Wide variety of stack heights in 0.5 mm increments
- High temperature plastic
- Selective plating

TECHNICAL DATA

PHYSICAL

- Housing: High temperature, black thermoplastic
- Flammability rating: UL 94 V-0
- Pin: Phosphor-bronze
- Plating: Gold or tin over 1.27 μm (50 μ") nickel



ELECTRICAL PERFORMANCE

- Current rating: 3 A continuous
- Insulation resistance: 5000 MΩ min.
- Dielectric withstanding voltage: 1500 V

MECHANICAL PERFORMANCE

- Pin retention to housing: 9 N min.

OPERATING TEMPERATURE RANGE

- 65°C to +125°C

PACKAGING

- Bags

REFERENCE INFORMATION

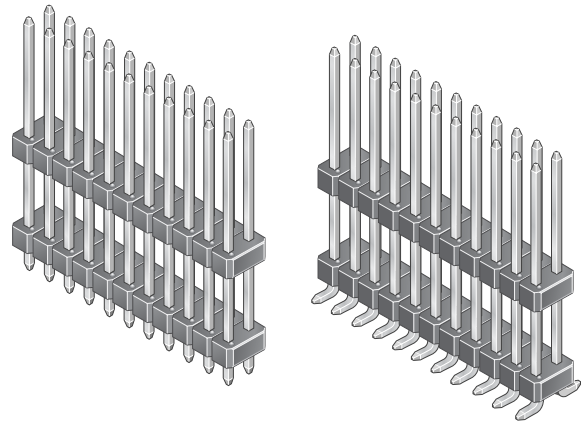
- File no. E66906
- File no. LR46923
- Product drawing: By 5-digit base part number
- Product specification: BUS-12-114

PROCESSING INFORMATION

- Compatible with wave, vapor-phase, and IR reflow soldering processes

RoHs INFORMATION

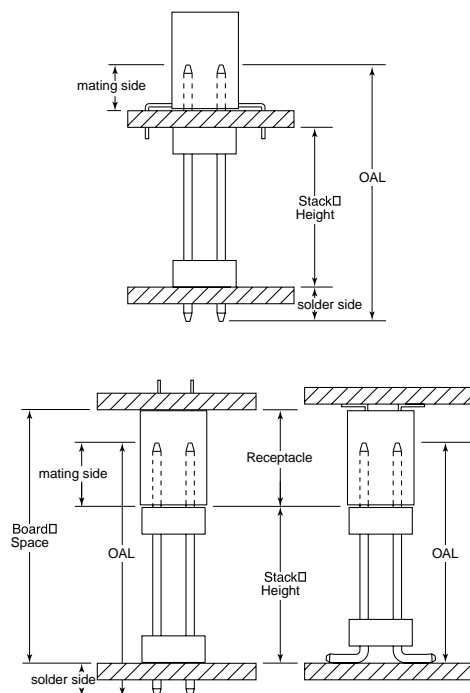
- This product is RoHs compatible according to the European Union Directive 2002/95/IEC



MATING DATA

- Dubox™ Vertical receptacles 22
- Dubox™ Low profile vertical receptacles 24, 26

TYPICAL APPLICATIONS



BergStik® Unshrouded Header, Stacking

2.54 mm (.100")

PART NUMBERS

Compile your own part number using custom dimensions (Please allow for initial setup on our system)



1 = Through Hole (TMT)
2 = Surface Mount (SMT)

1 = Single Row (TMT only)
2 = Double Row

1 = 2.41 mm
2 = 3.05 mm
4 = SMT (double row only)

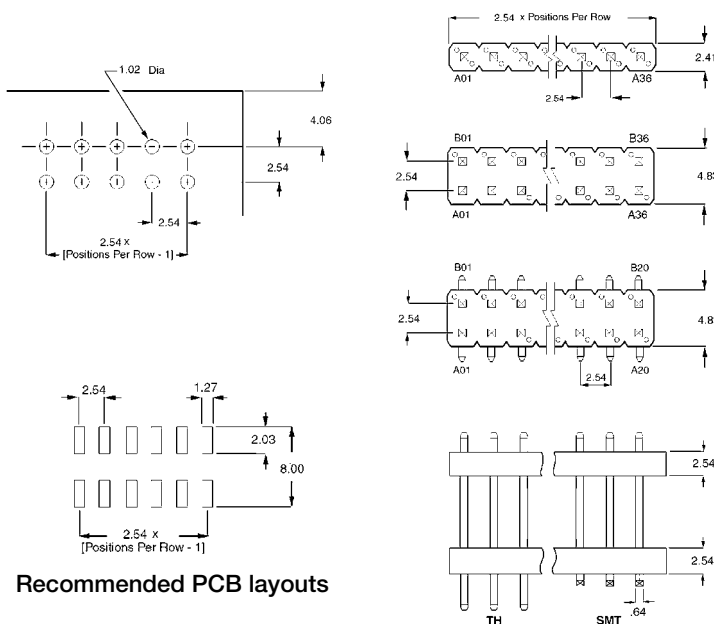
1 = 0.76 μm (30μ") gold/GXT on mating area, tin on solder side
8 = 0.38 μm (15μ") gold/GXT on mating area, tin on solder side

02 to 36 single row (TMT)
04 to 72 double row (TMT)
04 to 50 double row (SMT)

Pin Style	Overall length (TMT) mm	Overall length (SMT) mm
01	12.20	10.42
02	13.50	11.72
03	15.90	14.12
04	16.76	14.98
05	17.65	15.87
06	18.91	17.13
07	20.96	19.18
08	23.50	21.72
09	26.04	24.26
10	28.58	26.80
11	31.12	29.34
12	33.66	31.88

XX.XX = mm
 Specify mm
 i.e. 08.50 = 8.50 mm
 in 0.50 mm increments
TMT = 08.00 min. - 25.00 max.
SMT = 09.50 min. - 26.00 max.

PRODUCT



Recommended PCB layouts

The board spacing
 is the stack height of this header,
 plus the height of the receptacle
 (see application drawings on opposite page)

Dimension in mm

2.54 mm (.100")

FEATURES

- Dual-beam contacts for added reliability
- Slotted cutout in low profile housing simplifies electrical testing
- Side-by-side and end-to-end stackable

TECHNICAL DATA

PHYSICAL

- Housing: Black thermoplastic
- Flammability rating: UL 94 V-0
- Contact: Phosphor-bronze
- Plating: Gold or tin over 1.27 μm (50 μin) nickel



low profile only

ELECTRICAL PERFORMANCE

- Current rating: 2.5 A max. per contact
- Insulation resistance: 50,000 $\text{M}\Omega$ min.
- Contact resistance: 15 $\text{M}\Omega$ max. initial, 20 $\text{M}\Omega$ max. after environmental tests

Dielectric withstanding voltage: 800 V

MECHANICAL PERFORMANCE

- Mating cycles (durability): 50-Gold, 25-Tin.
- Insertion force: 450 gf max. per gold contact
500 gf max. per tin-lead contact
- Withdrawal force: 30 gf min. per gold contact
30 gf min. per tin-lead contact.

OPERATING TEMPERATURE RANGE

- -65°C to +125°C

PACKAGING

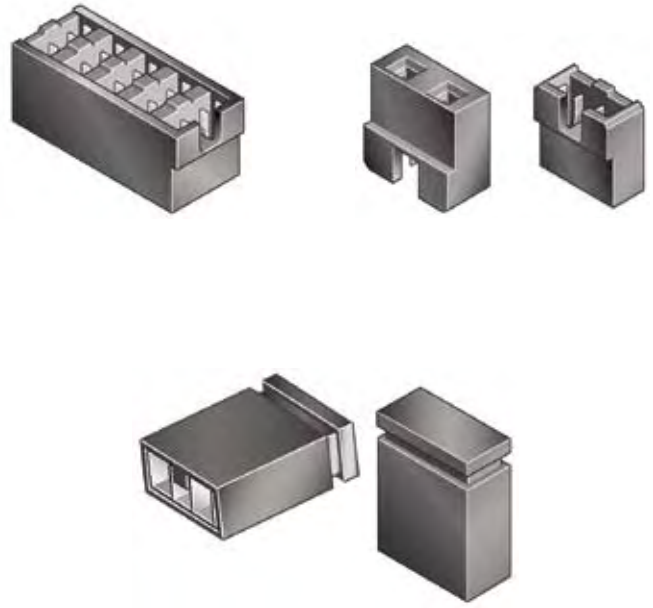
- Plastic bags

REFERENCE INFORMATION

- File no. E66906
- File no. LR46923
- Product drawing: By 5-digit base part number
- Product specification: BUS-12-071-gold
BUS-12-070-tin

RoHs INFORMATION

- This product is RoHs compatible according to the European Union Directive 2002/95/IEC



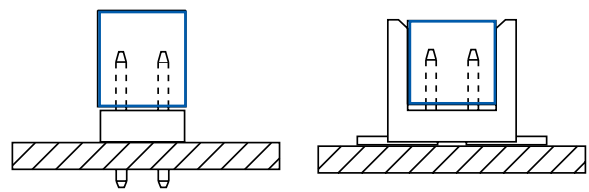
MATING DATA

- Continuous unshrouded headers 12
- Unshrouded vertical headers 8, 10
- Unshrouded right angle headers 1 14, 16

INSERTION DEPTH

- 4.85 mm (.191") min.
[provides 3.81 mm (.015") wipe] - Low profile

TYPICAL APPLICATIONS



SHUNTS

2.54 mm (.100")

PART NUMBERS

Low profile



2 = 0.76 μm (30μ") gold
3 = tin

Standard



2 = 0.76 μm (30μ") gold
3 = tin

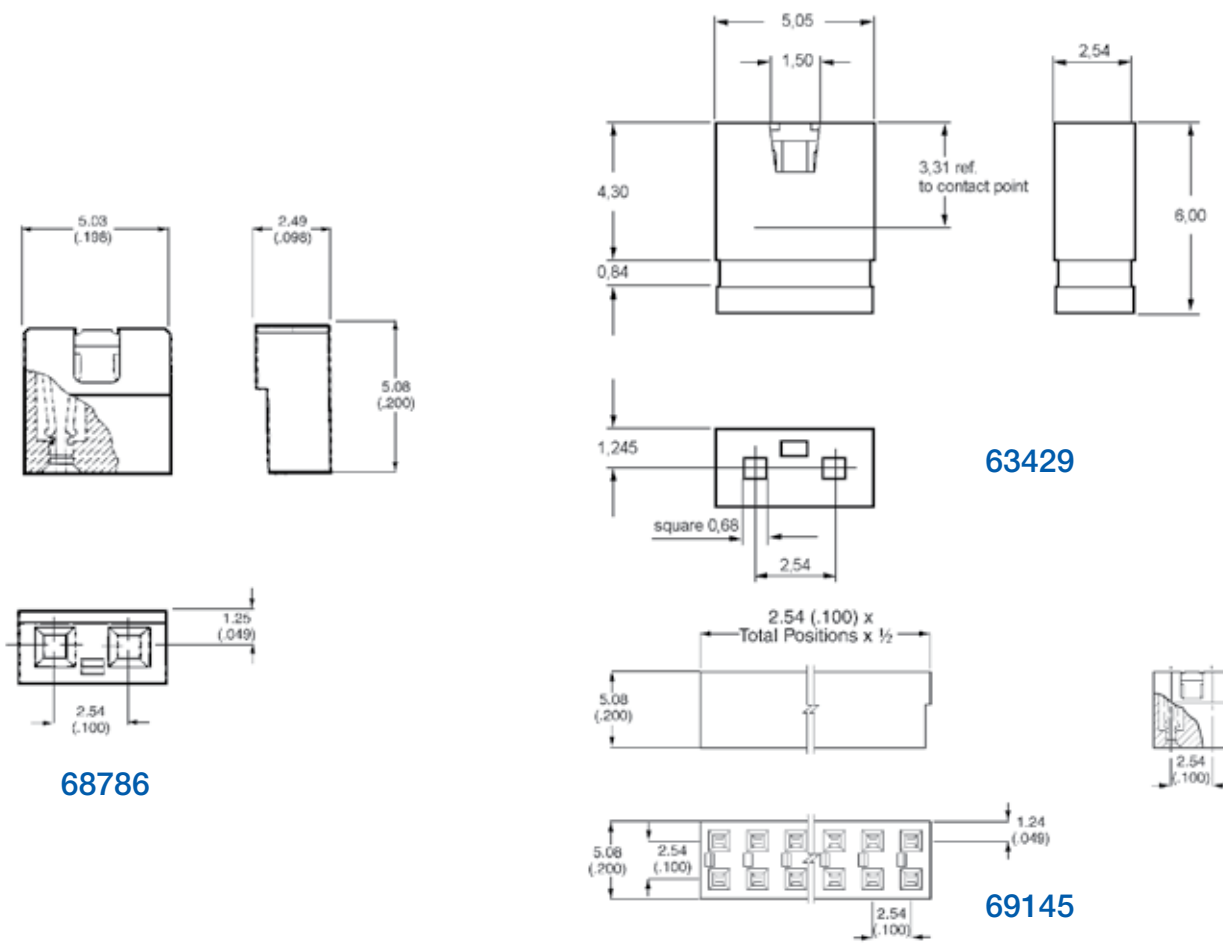
Multi-position



2 = 0.76 μm (30μ") gold
3 = tin
4 to 20 positions



PRODUCT



Dimension in mm

2.54 mm (.100")

FEATURES

- The Dubox™ contact has a pre-stressed, dual beam design to enable low insertion force
- 4-wall contact design for signal protection

TECHNICAL DATA

PHYSICAL

- Housing: Glass filled thermoplastic polyester, blue
- Flammability rating: UL 94 V-0
- Contact: Phosphor-bronze
- Plating: Gold or tin in accordance with IEC 603-81

ELECTRICAL PERFORMANCE

- Current rating: 3 A dc max. per individual contact
2 A dc max. per contact for fully energized connector
- Insulation resistance: 1×10^5 M Ω min.
- Contact resistance: 15 M Ω max. initial,
20 M Ω max. after environmental tests
- Dielectric withstanding voltage: 1000 V rms

MECHANICAL PERFORMANCE

- Mating cycles (durability): 200
- Insertion force per gold contact: 1.50 N (150 gf) max.
- Withdrawal force per gold contact: 0.30 N (30 gf) min.

OPERATING TEMPERATURE RANGE

- -65°C to +125°C



PACKAGING

- Plastic boxes or tubes

PROCESSING INFORMATION

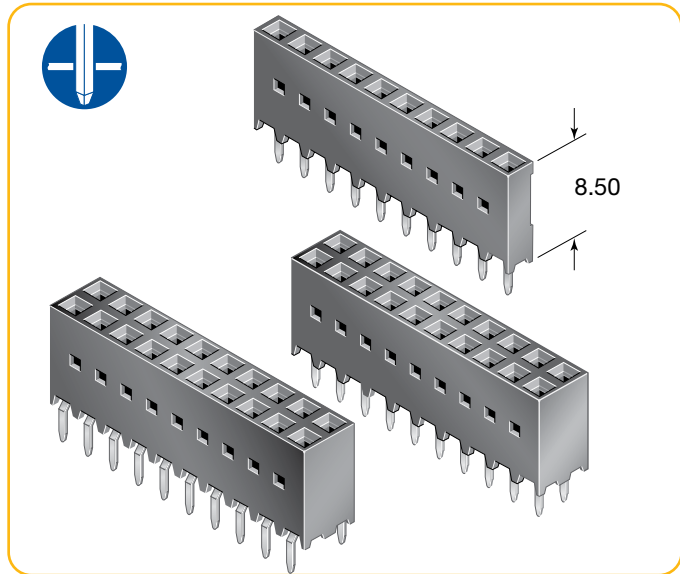
- Compatible with wave soldering processes

REFERENCE INFORMATION

-  File no. E66906
-  File no. LR46923
- Product drawing: By 5-digit base part number
- Product specification: HE 13/14 and IEC 603-8

RoHs INFORMATION

- This product is RoHs compatible according to the European Union Directive 2002/95/IEC



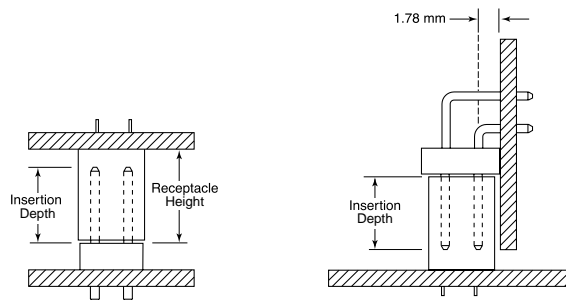
MATING DATA

- BergStik® Unshrouded vertical headers 8, 10
- BergStik® Unshrouded right angle headers 14, 16
- BergStik® Unshrouded stacking headers 18
- BergStik® continuous Unshrouded headers 12

INSERTION DEPTH

- Top Entry: 3.6 mm min. to 6.81 mm max.
[provides .381 mm wipe]
- Bottom Entry: 7 mm min.
[provides .381 mm wipe] plus board thickness

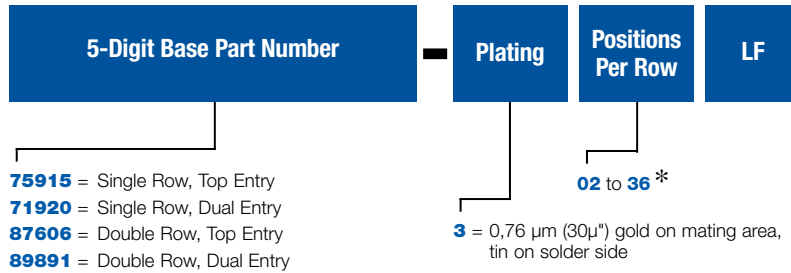
TYPICAL APPLICATIONS



Dubox™ Vertical Receptacles

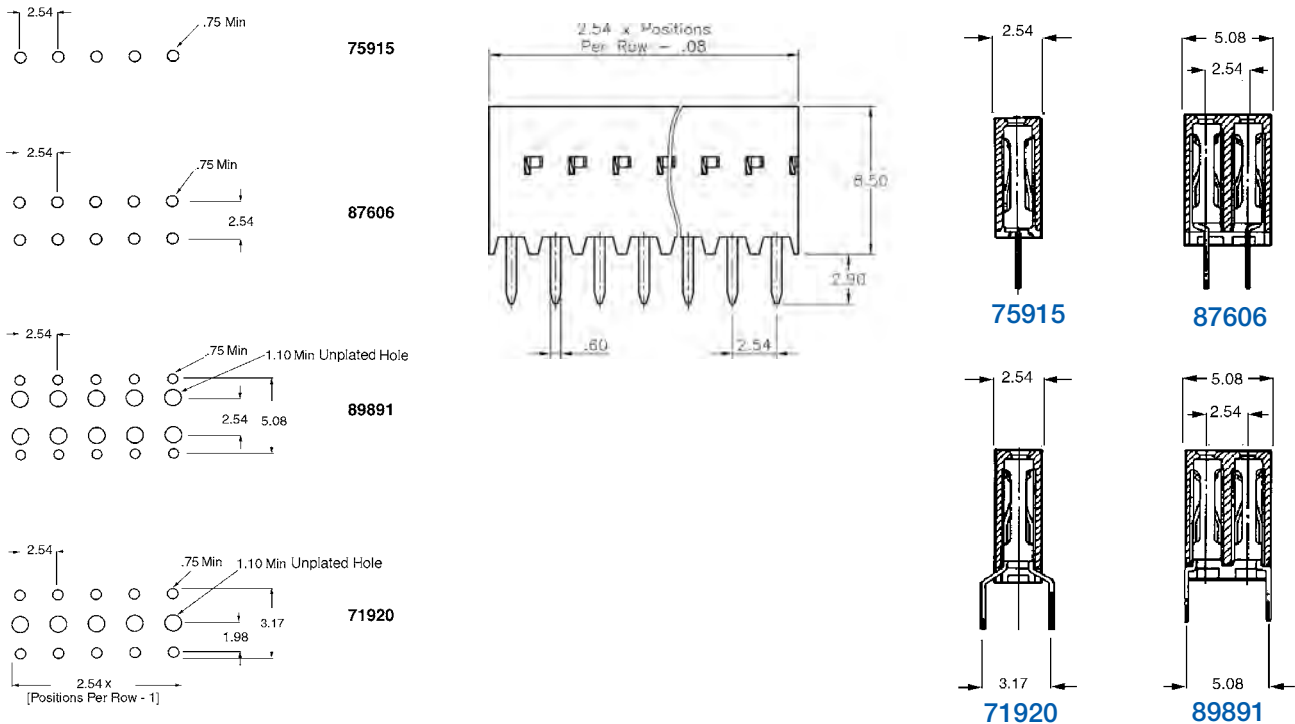
2.54 mm (.100")

PART NUMBERS



*Other sizes available on request

PRODUCT



Recommended PCB layouts

Dimension in mm

2.54 mm (.100")

FEATURES

- The Dubox™ contact has a pre-stressed, dual beam design to enable low insertion force
- 4-wall contact design for signal protection

TECHNICAL DATA

PHYSICAL

- Housing: Glass filled thermoplastic polyester, blue
- Flammability rating: UL 94 V-0
- Contact: Phosphor-bronze
- Plating: Gold or tin over 1.27 µm (50 µ") nickel

ELECTRICAL PERFORMANCE

- Current rating: 3 A dc max. per individual contact
2 A dc max. per contact for fully energized connector
- Insulation resistance: 1x 10⁵ MΩ min.
- Contact resistance: 15 MΩ max. initial,
20 MΩ max. after environmental tests
- Dielectric withstanding voltage: 1000 V rms

MECHANICAL PERFORMANCE

- Mating cycles (durability): 200
- Insertion force per gold contact: 1.50 N (150 gf) max.
- Withdrawal force per gold contact: 0.30 N (30 gf) min.

OPERATING TEMPERATURE RANGE

- -65°C to +125°C



PACKAGING

- Plastic boxes or tubes

PROCESSING INFORMATION

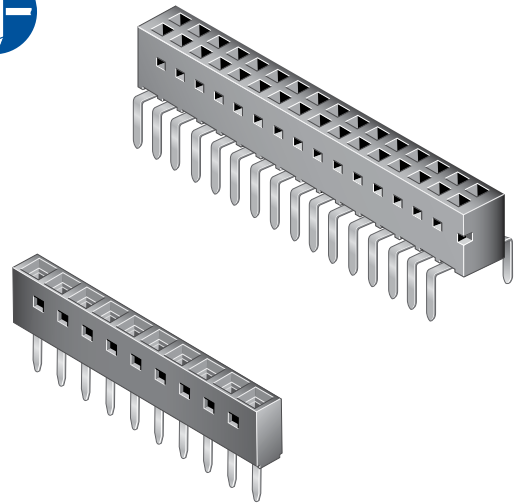
- Compatible with wave soldering processes

REFERENCE INFORMATION

-  File no. E66906
-  File no. LR46923
- Product drawing: By 5-digit base part number
- Product specification: BUS-12-055

RoHS INFORMATION

- This product is RoHS compatible according to the European Union Directive 2002/95/IEC



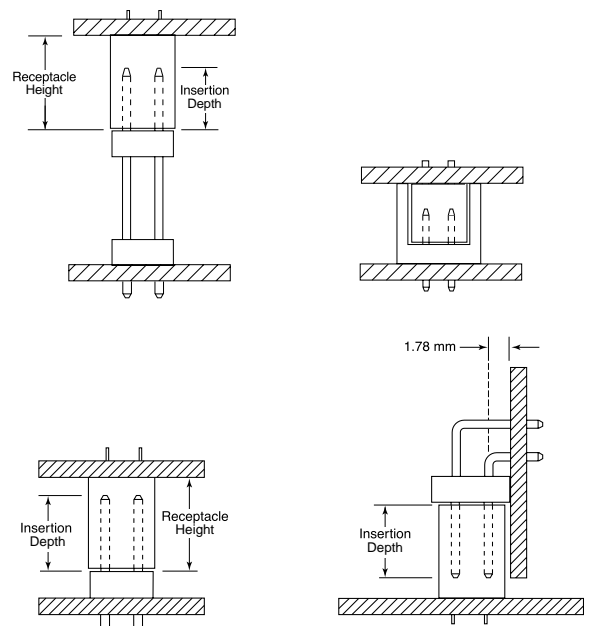
MATING DATA

- BergStik® Unshrouded vertical headers 8, 10
- BergStik® Unshrouded right angle headers 14, 16
- BergStik® Unshrouded stacking headers 18
- BergStik® continuous Unshrouded headers 12

INSERTION DEPTH

- Top Entry: 3.6 mm min. to 6.7 mm max.
[provides .381 mm wipe]
- Bottom Entry: 6 mm min.
[provides .381 mm wipe] plus board thickness

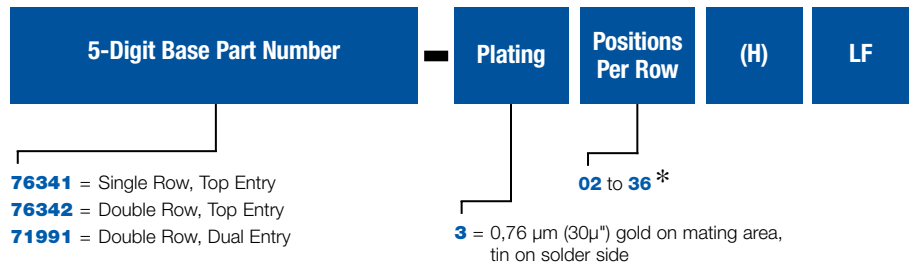
TYPICAL APPLICATIONS



Dubox™ Vertical Receptacles, Low Profile

2.54 mm (.100")

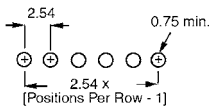
PART NUMBERS



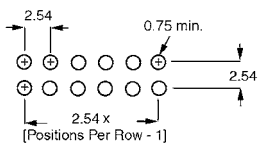
*Other sizes available on request

PRODUCT

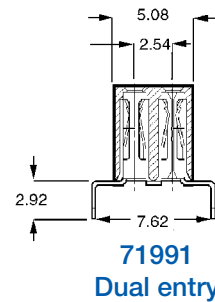
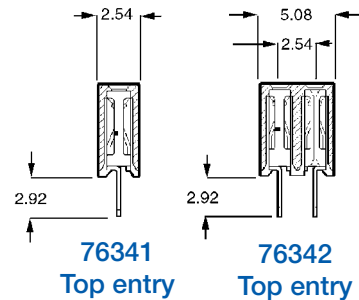
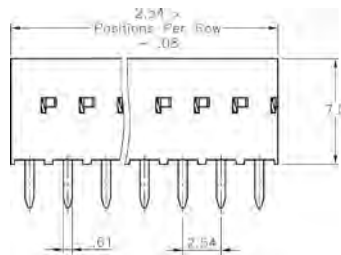
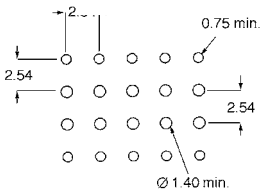
P/N 76341
Top Entry



P/N 76342
Top Entry



P/N 71991
Dual Entry



Recommended PCB layouts

Dimension in mm

2.54 mm (.100")

FEATURES

- The Dubox™ contact has a pre-stressed, dual beam design to enable low insertion force
- 4-wall contact design for signal protection

TECHNICAL DATA

PHYSICAL

- Housing: High temperature body, grey
- Flammability rating: UL 94 V-0
- Contact: Phosphor-bronze
- Plating: Gold or tin over 1.27 µm (50 µ") nickel



ELECTRICAL PERFORMANCE

- Current rating: 3 A dc max. per individual contact
2 A dc max. per contact for fully energized connector
- Insulation resistance: 1x 10⁵ MΩ min.
- Contact resistance: 15 MΩ max. initial,
20 MΩ max. after environmental tests
- Dielectric withstanding voltage: 1000 V rms

MECHANICAL PERFORMANCE

- Mating cycles (durability): 200
- Insertion force per gold contact: 1.50 N (150 gf) max.
- Withdrawal force per gold contact: 0.30 N (30 gf) min.

OPERATING TEMPERATURE RANGE

- -65°C to +125°C

PACKAGING

- Plastic boxes or tubes
- Tape and reel as available

PROCESSING INFORMATION

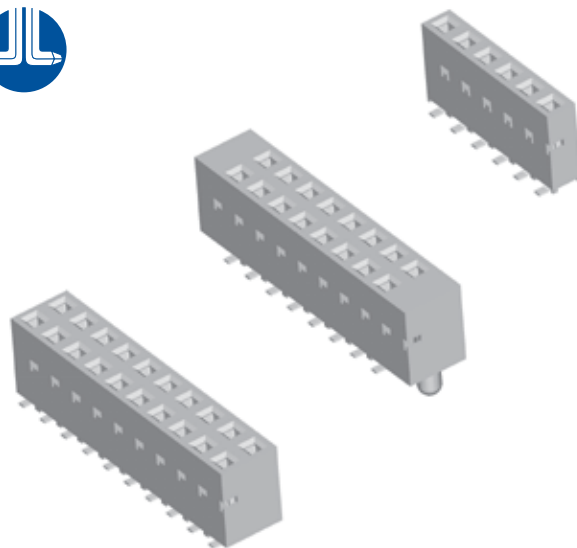
- Compatible with vapor-phase, and IR reflow soldering processes

REFERENCE INFORMATION

- File no. E66906
- File no. LR46923
- Product drawing: By 5-digit base part number
- Product specification: BUS-12-055

RoHS INFORMATION

- This product is RoHs compatible according to the European Union Directive 2002/95/IEC



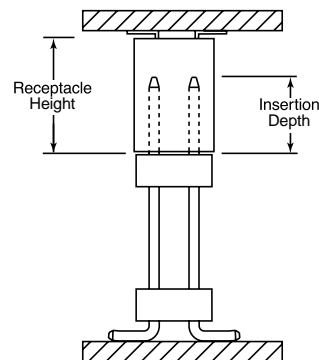
MATING DATA

- BergStik® Unshrouded vertical headers 8, 10
- BergStik® Unshrouded right angle headers 14, 16
- BergStik® Unshrouded stacking headers 18
- BergStik® continuous Unshrouded headers 12

INSERTION DEPTH

- Top Entry: 3.6 mm min. to 6.7 mm max.
[provides .381 mm wipe]
- Bottom Entry: 6 mm min.
[provides .381 mm wipe] plus board thickness

TYPICAL APPLICATIONS



Dubox™ Vertical Receptacles, Low Profile

2.54 mm (.100")

PART NUMBERS



- 91601** = Single Row, Dual Entry
- 91614** = Single Row with external Locating Pegs, Dual Entry
- 89898** = Double Row, Dual Entry
- 91615** = Double Row with External Locating Pegs, Dual Entry
- 91618** = Double Row with Internal Locating Pegs, Dual Entry

- = standard-tubes
A = Tape-and-Reel packaging with pick-up cap *

02 to 25 Single Row
02 to 25 Double Row

3 = 0,76 µm (30µ") gold on mating area, tin on solder side

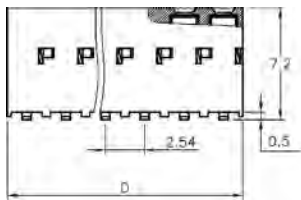
89898 - 3XXALF

XX = 02, 03, 04, 05, 06, 08, 10

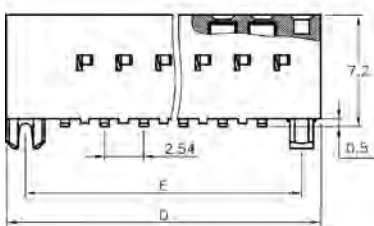
* as available

PRODUCT

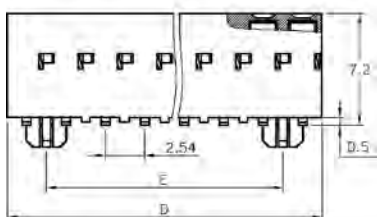
Standard



External Locating Pegs

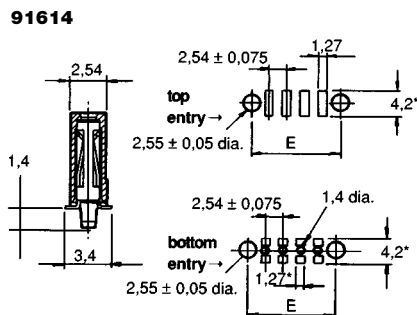
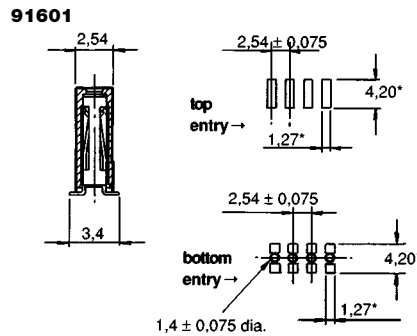


Internal Locating Pegs



Dimension in mm

Single Row + Pad lay-outs

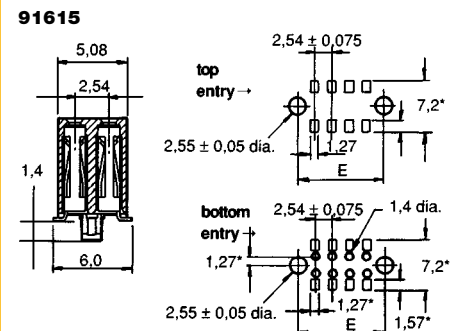
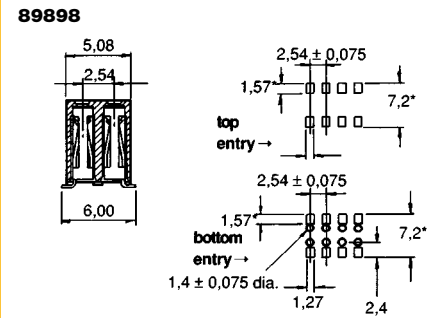


*Note: available as of 3 position versions

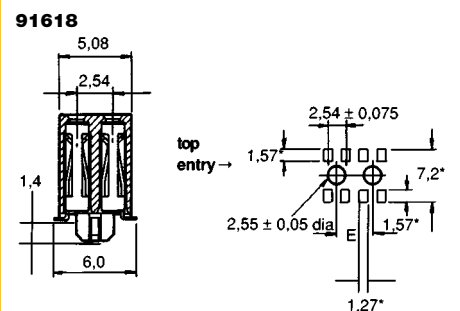
not available in single row

Note:
All dimensions marked with *
are minimum dimensions

Double Row + Pad lay-outs



*Note: available as of 3 position versions



*Note: available as of 6 number of positions

2.54 mm (.100")

FEATURES

- The Dubox™ contact has a pre-stressed, dual beam design to enable low insertion force
- Floating solder tails self-center on circuit pads and assure coplanarity
- 4-wall contact design for signal protection

TECHNICAL DATA

PHYSICAL

- Housing: Blue thermoplastic -Through hole
High temp. grey thermoplastic - Surface mount
- Flammability rating: UL 94 V-0
- Contact: Phosphor-bronze
- Plating: Gold or tin over 1.27 μm (50 μ") nickel



ELECTRICAL PERFORMANCE

- Current rating: 3 A dc max. per individual contact
2 A dc max. per contact for fully energized connector
- Insulation resistance: 1x 10⁵ MΩ min.
- Contact resistance: 15 MΩ max. initial,
20 MΩ max. after environmental tests
- Dielectric withstanding voltage: 1000 V rms

MECHANICAL PERFORMANCE

- Mating cycles (durability): 200
- Insertion force per gold contact: 1.50 N (150 gf) max.
- Withdrawal force per gold contact: 0.30 N (30 gf) min.

OPERATING TEMPERATURE RANGE

- -65°C to +125°C

PACKAGING

- Standard: Tubes
- Optional: Tape-and-reel

PROCESSING INFORMATION

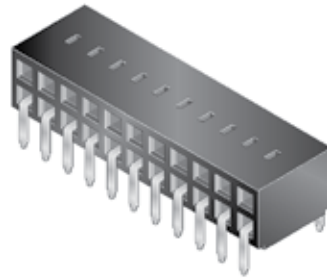
- Series 89882, 89883: compatible with wave soldering processes
- Series 71607, 71609: compatible with vapor-phase and IR reflow soldering processes

REFERENCE INFORMATION

- File no. E66906
- File no. LR46923
- Product drawing: 71607, 71609, 89882, 89883
- Product specification: HE 13/14 and IEC 603-8
- Application specification: TA-842 for SMT
- Tape and Reel packaging data : TA-856

RoHs INFORMATION

- This product is RoHs compatible according to the European Union Directive 2002/95/IEC



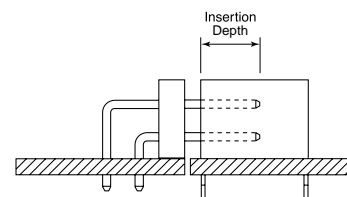
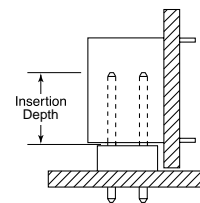
MATING DATA

- BergStik® Unshrouded vertical headers 8, 10
- BergStik® Unshrouded right angle headers 14, 16
- BergStik® continuous Unshrouded headers 12

INSERTION DEPTH

- 3,6 mm min. to 7.50 mm max.
[provides .381 mm wipe]

TYPICAL APPLICATIONS



Dubox™ Horizontal Receptacles

2.54 mm (.100")

PART NUMBERS

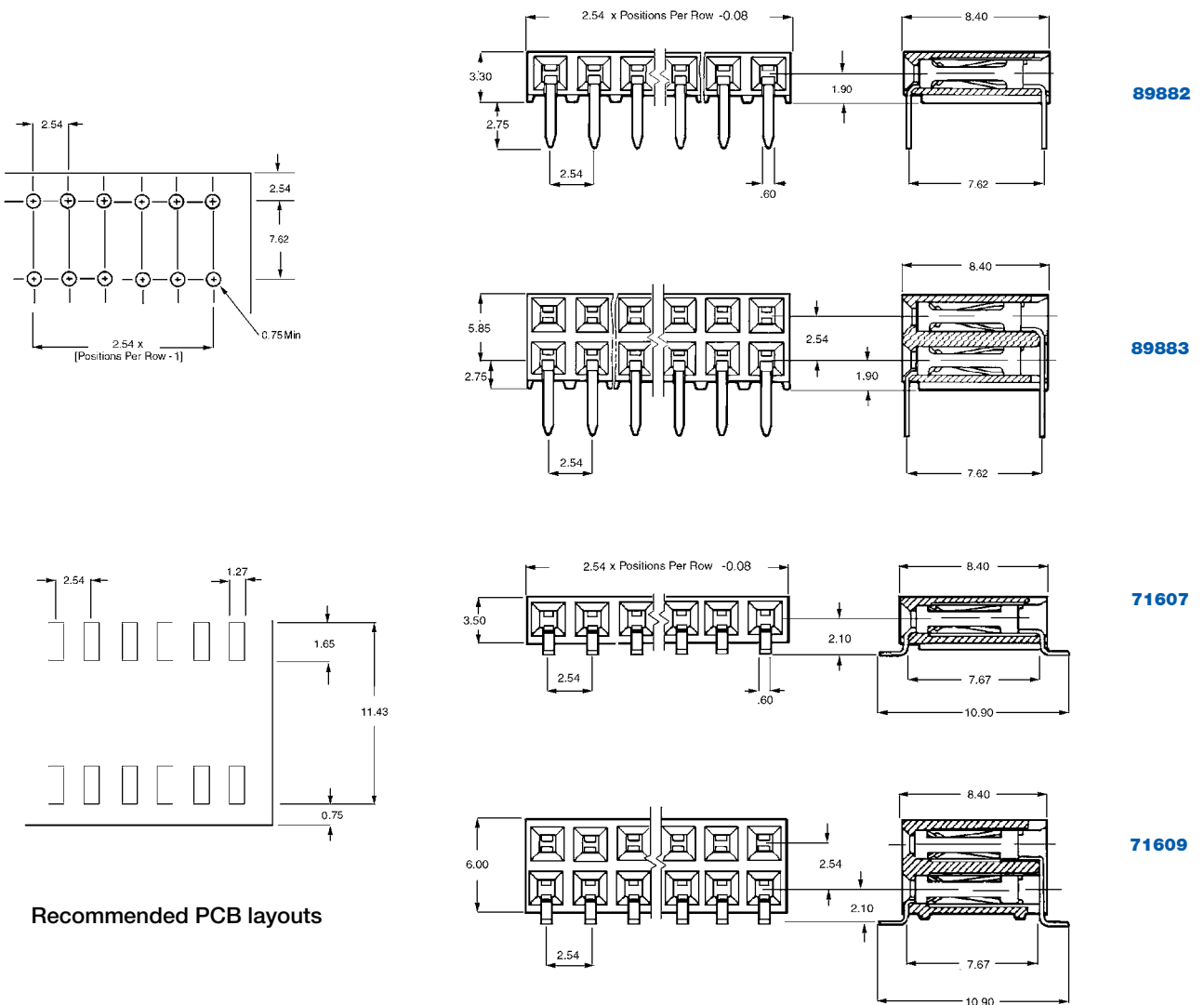


- 89882** = Through Hole (TMT), Single Row
- 89883** = Through Hole (TMT), Double Row
- 71607** = Surface Mount (SMT), Single Row
- 71609** = Surface Mount (SMT), Double Row

- 02 to 36** (TMT)
- 02 to 25** (SMT)

3 = 0,76 µm (30µ") gold on mating area, tin on solder side

PRODUCT



Recommended PCB layouts

Dimension in mm

2.54 mm (.100")

FEATURES

- For use with Dubox™ crimp-to-wire housings
- Stackable end-to-end
- Passive latching, anti-reverse and anti-miss-match when used with Dubox™ crimp-to-wire housings
- Selective plating

TECHNICAL DATA

PHYSICAL

- Housing: Glass filled thermoplastic polyester
- Housing color for series 76382, 76383: blue
- Housing color for series 76384, 76385: black
- Flammability rating: UL 94 V-0
- Contact: copper Alloy
- Plating: Gold or tin over 1.27 μm (50μ") nickel

ELECTRICAL PERFORMANCE

- Current rating: 3 A continuous
- Insulation resistance: 1x 10⁵ MΩ min.
- Dielectric withstanding voltage: 1000 V rms

MECHANICAL PERFORMANCE

- Contact retention to housing: 20 N min.

OPERATING TEMPERATURE RANGE

- -40°C to +125°C



PACKAGING

- 1x2 to 1x6 and 2x2 to 2x6: plastic bags
- Other in tube

PROCESSING INFORMATION

- Compatible with wave soldering processes

REFERENCE INFORMATION

-  File no. E66906
-  File no. LR46923
- Product drawing: By 5-digit base part number
- Application specification: TA-531

RoHS INFORMATION

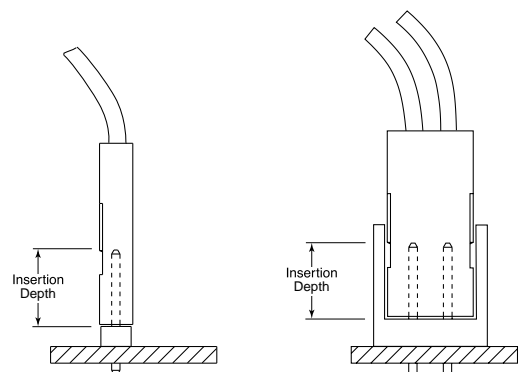
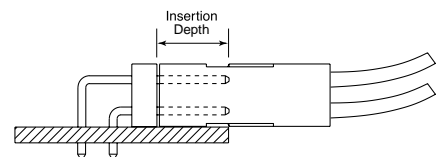
- This product is RoHs compatible according to the European Union Directive 2002/95/IEC



MATING DATA

- Dubox™ Crimp-to-wire contacts 32
- Dubox™ Crimp-to-wire housings 34

TYPICAL APPLICATIONS



Dubox™ Shrouded Headers

2.54 mm (.100")

PART NUMBERS



- 76384** = Single row, straight
- 76382** = Single row, right angle
- 76385** = Double row, straight
- 76383** = Double row, right angle

02 up to 18

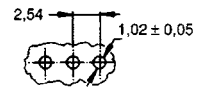
3 = 0.76 µm (30µ") gold/GXT on mating area, tin on solder side
4 = tin

76384	-	3XXLF	CORE RANGE
76385	-	3XXLF	

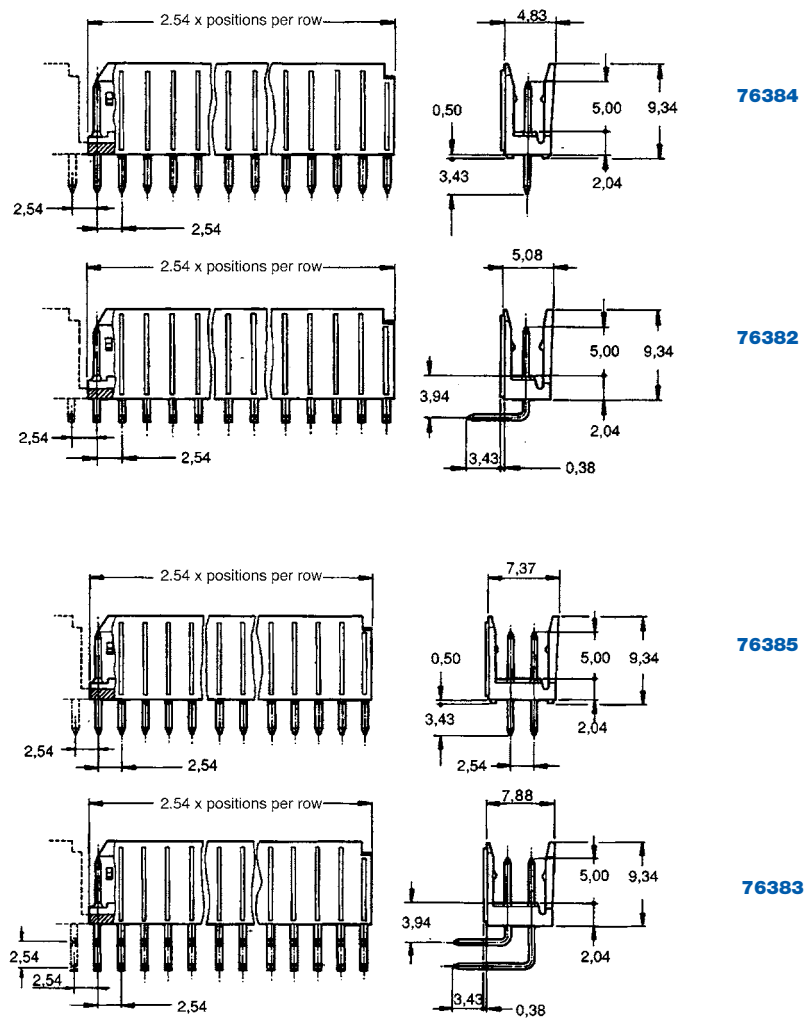
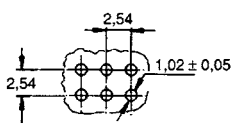
XX = 02, 03, 04, 05, 06, 08, 10

PRODUCT

Recommended PCB layouts



Recommended PCB layouts



Dimension in mm

2.54 mm (.100")

FEATURES

- The Dubox™ contact has a pre-stressed, dual beam design to enable low insertion force.
- Mates with very short pins (5 mm)
- Universal crimp barrel accommodates wires from AWG 22-30
- Selective plating

TECHNICAL DATA

PHYSICAL

- Contact: phosphor bronze
- Plating: 0.76 µm (30µ") Gold over 1.27 µm (50 µ") nickel

ELECTRICAL PERFORMANCE

- Current rating: 3 A continuous
- Contact resistance after environmental test: 15Ω m max. – Contact
- Dielectric withstanding voltage: 1000 V rms

MECHANICAL PERFORMANCE

- Mating cycles (durability): 200 – Gold
- Insertion force gold finish contact: 1.3 N
- Withdrawal force (min) gold finish contact: 0.3 N.
- contact retention force to housing: 15 N per contact.



OPERATING TEMPERATURE RANGE

- -65°C to +125°C

PACKAGING

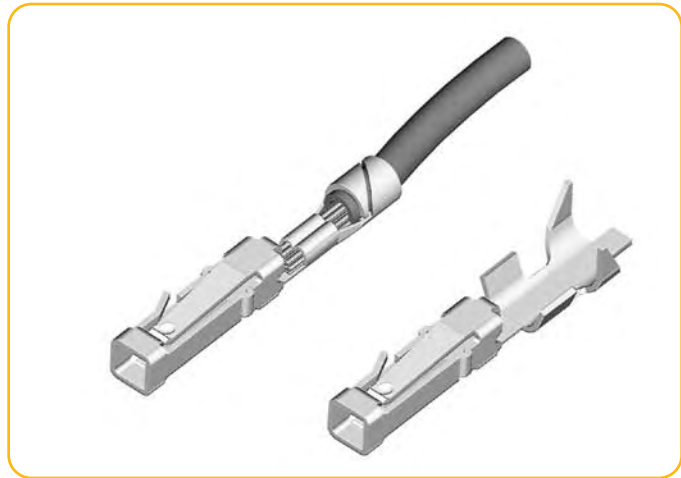
- 1 Reels
- Boxes - Loose piece

REFERENCE INFORMATION

-  File no. E66906
-  File no. LR46923
- Product drawing: By 5-digit base part number
- Product specification: BUS-12-055
- Application specification: TA-317, TA-340

RoHs INFORMATION

- This product is RoHs compatible according to the European Union Directive 2002/95/IEC



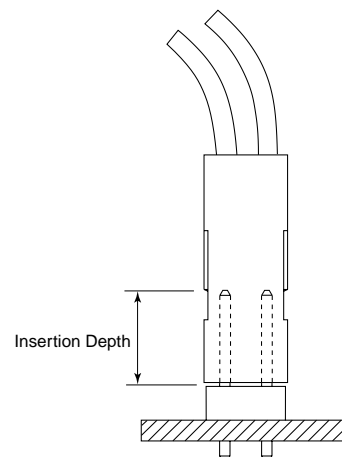
MATING DATA

- BergStik® unshrouded straight headers 8, 10
- BergStik® unshrouded right angle headers 14, 16
- Dubox™ shrouded vert./ra. headers 30
- BergStik® continuous unshrouded headers 12

INSERTION DEPTH

- Discrete Wire: 3.6 mm min. to 5.6 mm max. [provides .381 mm wipe]
- Crimp-to-Wire Housing: 5.1 mm min. to 6.2 mm max. [provides .381 mm wipe in housing]

TYPICAL APPLICATIONS



Dubox™ Crimp-to-Wire Contacts

2.54 mm (.100")

PART NUMBERS

Part numbers / Contacts on Reel

Wire size	insulation O.D.	Selective Gold Plated	Tin plated	Packaging
22-30	0.90 - 1.50	76347-301LF	76347-401LF	15.000/reel
22-30	0.90 - 1.50	76347-302 LF•	76347-402LF•	15.000/reel
22-30	0.90 - 1.50	76347-303 LF	76347-403LF	500/reel
20-22	1.10 - 1.60	76347-311LF	76347-411LF	15.000/reel
20-22	1.10 - 1.60	76347-312 LF•	76347-412LF•	15.000/reel

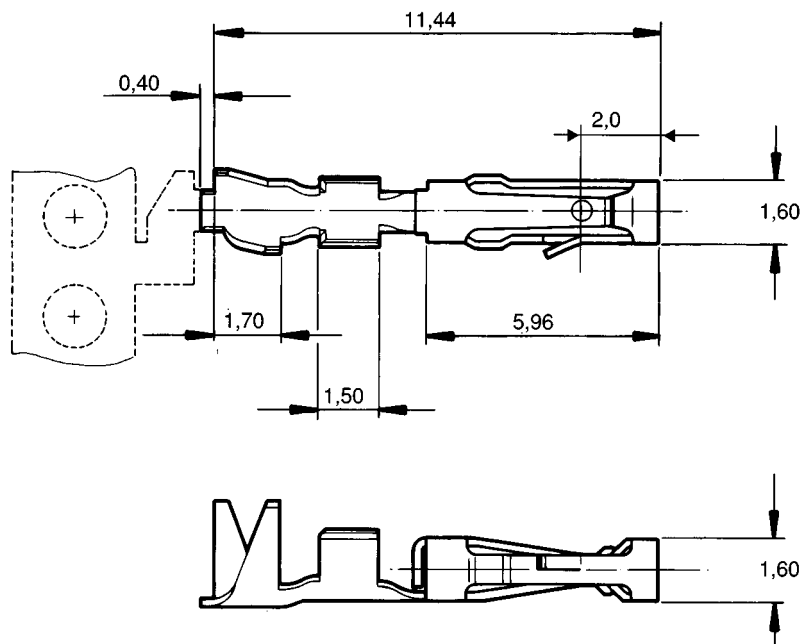
Part numbers / Contacts loose Piece

Wire size	insulation O.D.	Selective Gold Plated	Tin plated	Packaging
22-30	0.90 - 1.50	76357-301LF	76357-401LF	1000/box

Notes: • = reeled for application machine with left-to-right feeding



PRODUCT



Contacts to be used with housing = 65239-xxx / 65240-xxx

Wire strip length = 3,00 ± 0,25 mm

Mating pin size = 0,62 mm square

Mating pin recommended length = 5,00 mm min.

2.54 mm (.100")

FEATURES

- For use with Dubox™ crimp-to-wire contacts
- Stackable end-to-end
- Passive latching, anti-reverse and anti-miss-match when used with Dubox™ shrouded headers
- Contacts removable for easy repairability

TECHNICAL DATA

PHYSICAL

- Housing: Glass filled thermoplastic polyester
- Housing color blue
- Flammability rating: UL 94 V-0

ELECTRICAL PERFORMANCE

- Insulation resistance: 1×10^5 M Ω min.
- Dielectric withstanding voltage: 1000 V rms

OPERATING TEMPERATURE RANGE

- -65°C to +125°C



PACKAGING

- Bulk

PROCESSING INFORMATION

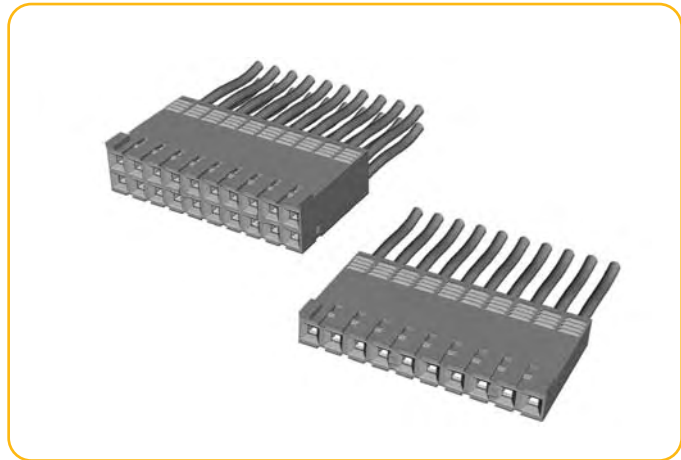
- Compatible with wave soldering processes

REFERENCE INFORMATION

-  File no. E66906
-  File no. LR46923
- Product drawing: By 5-digit base part number
- Application specification: TA-317, TA-340

RoHs INFORMATION

- This product is RoHs compatible according to the European Union Directive 2002/95/IEC



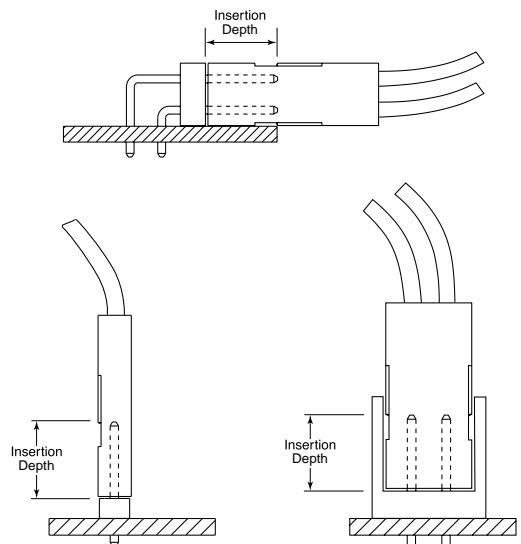
MATING DATA

- BergStik® unshrouded straight headers 8, 10
- BergStik® unshrouded right angle headers 14, 16
- Dubox™ shrouded vert./ra. headers 30

INSERTION DEPTH

- 3.6 mm min. to 6.0 mm max.

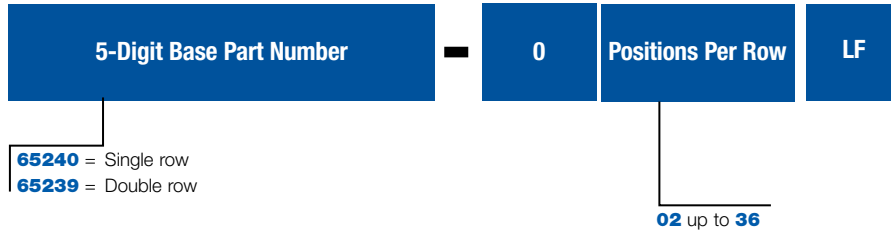
TYPICAL APPLICATIONS



Dubox™ Crimp-to-Wire Housings

2.54 mm (.100")

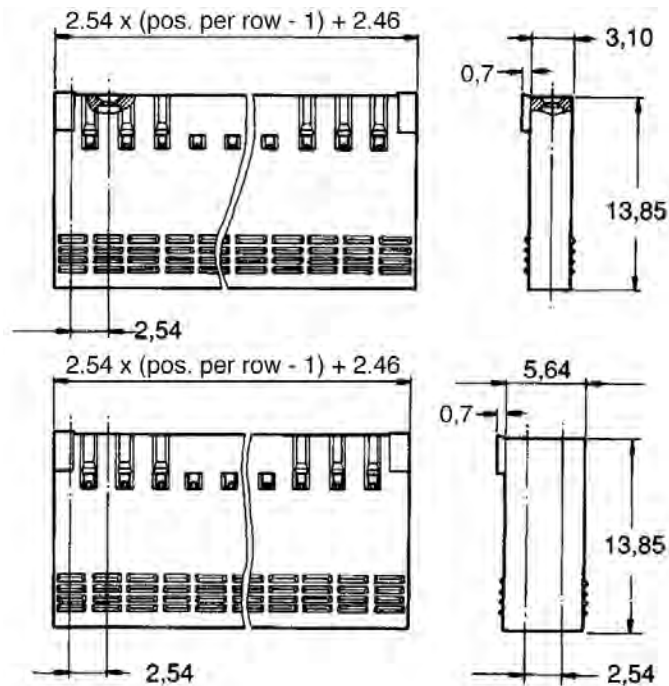
PART NUMBERS



65239 - OXXLF **CORE RANGE**
XX = 02, 03, 04, 05, 06, 08, 10

65240 - OXXLF
XX = 04, 06, 08, 10, 12, 16, 20

PRODUCT



- Pin size: 0.62 mm square
- Recommended pin length: 5.00 mm min.

2.54 mm (.100")

FEATURES

- Housing uses our high reliability contact
- High temperature headers
- Passive latching system

TECHNICAL DATA

PHYSICAL

- Housing: Black thermoplastic
- Flammability rating: UL 94 V-0
- Contact: Phosphor-bronze
- Plating: Gold or tin-lead over 1.27 μm (50 μ") nickel

ELECTRICAL PERFORMANCE

- Current rating: 3 A continuous
- Insulation resistance: 1x 10⁵ MΩ min.
- Dielectric withstanding voltage: 1000 V rms

MECHANICAL PERFORMANCE

- Contact retention to housing: 17.76 N min.

OPERATING TEMPERATURE RANGE

- -40°C to +125°C



PACKAGING

- Bags

PROCESSING INFORMATION

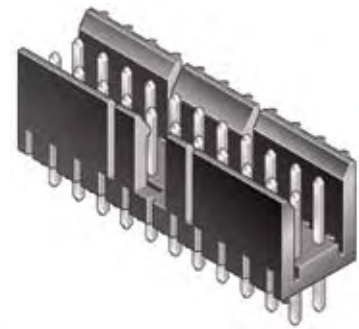
- Compatible with wave soldering processes

REFERENCE INFORMATION

-  File no. E66906
-  File no. LR46923
- Product drawing: By 5-digit base part number
- Product specification: BUS-12-067, BUS-12-075
- Application specification: TA-531

RoHs INFORMATION

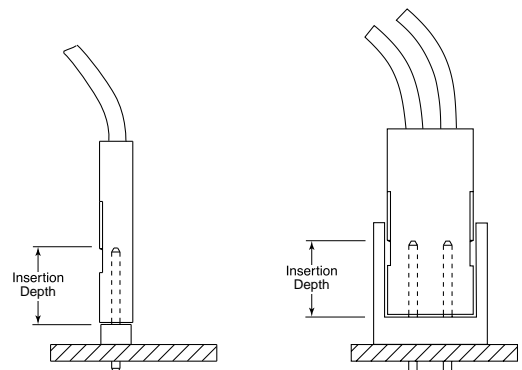
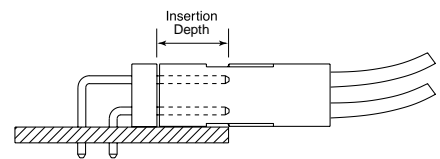
- This product is RoHs compatible according to the European Union Directive 2002/95/IEC



MATING DATA

- PV™ Crimp-to-wire contacts 38
- PV™ Crimp-to-wire housings 40

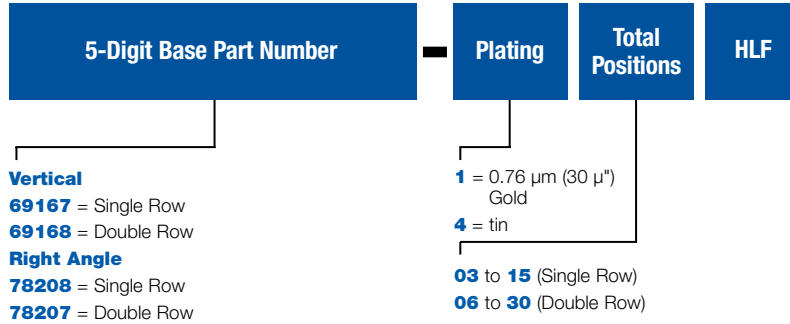
TYPICAL APPLICATIONS



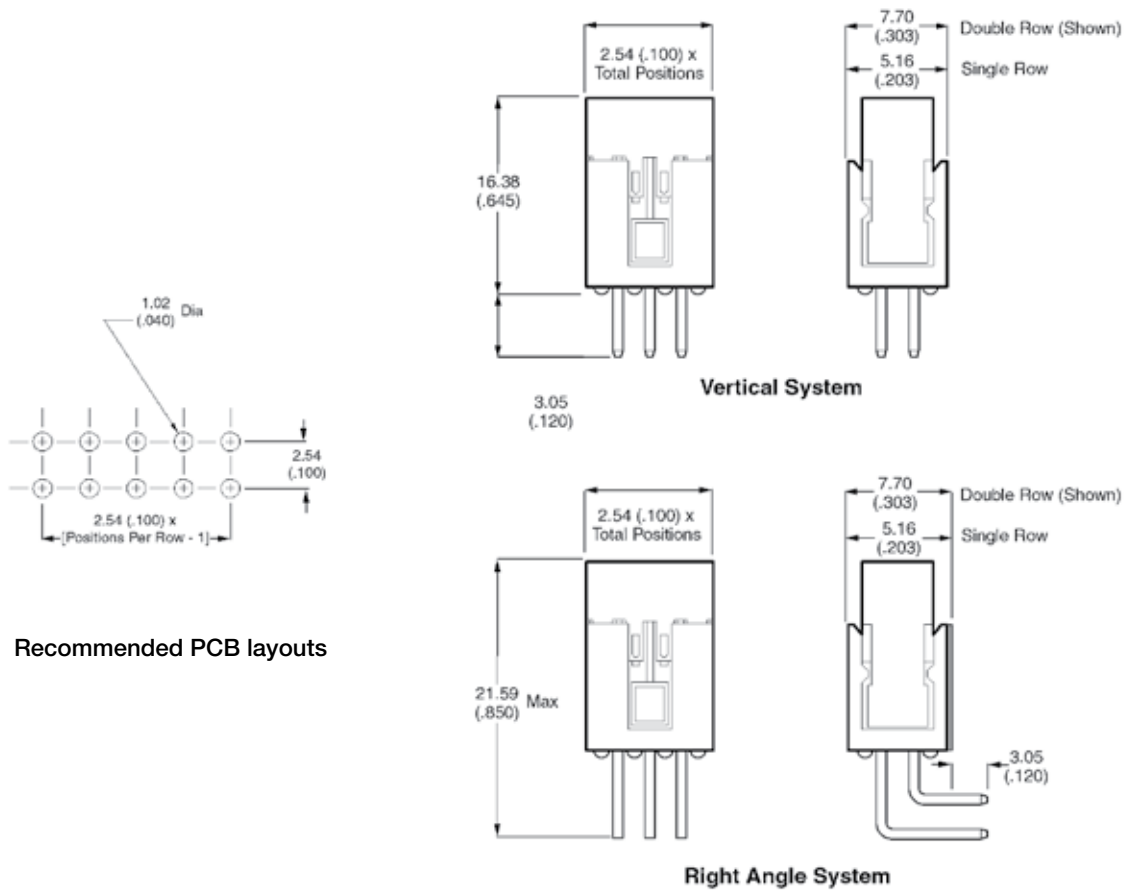
PV™ Shrouded Headers

2.54 mm (.100")

PART NUMBERS



PRODUCT



Dimension in mm

2.54 mm (.100")

FEATURES

- High reliability contacts for shock and vibration applications
- Three spring thickness options meet application specific insertion, withdrawal, and normal force requirements
- Leaf spring design provides constant retention force after repeated cycles

TECHNICAL DATA

PHYSICAL

- Contact: Brass body with beryllium-copper spring
- Pin: Brass
- Plating: Gold or tin over 1.27 µm (50 µ") nickel

ELECTRICAL PERFORMANCE

- Current rating: 3 A continuous depending on wire size
- Insulation resistance: 5000 mΩ min.
- Contact resistance after environmental test: 15Ω m max. – Contact
- Dielectric withstanding voltage: 1000 V rms

MECHANICAL PERFORMANCE

- Mating cycles (durability): 1000 - Gold
- Insertion force per gold contact:
 - 2.35 N (240 gf) - Standard spring
 - 4.41 N (450 gf) - High spring
 - 10.79 N (1100 gf) - Ultra high spring

OPERATING TEMPERATURE RANGE

- 65°C to +125°C

PACKAGING

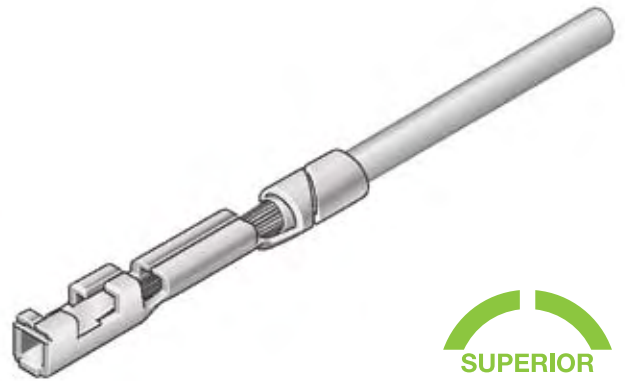
- 1 Reels
- Boxes - Loose piece

REFERENCE INFORMATION

- File no. E66906
- File no. LR46923
- Product drawing: By 5-digit base part number
- Product specification: BUS-12-067 Contact
- Application specification: TA-75, TA-146 - Contact, TA-295, TA-228 and TA-302

RoHS INFORMATION

- This product is RoHS compatible according to the European Union Directive 2002/95/IEC



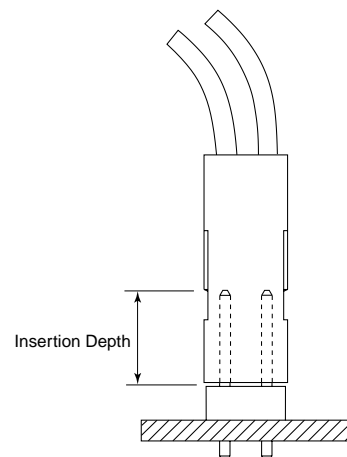
MATING DATA

- Continuous unshrouded headers 12
- Unshrouded vertical headers 8, 10
- Unshrouded right angle headers 14, 16

INSERTION DEPTH

- Discrete Wire: 3.5 mm min. to 5.3 mm max. [provides .381 mm wipe]
- Crimp-to-Wire Housing: 4.2 mm min. to 5.3 mm max. [provides .381 mm (.015") wipe in housing]

TYPICAL APPLICATIONS



PV™ Crimp-to-Wire Contacts

2.54 mm (.100")

PART NUMBERS



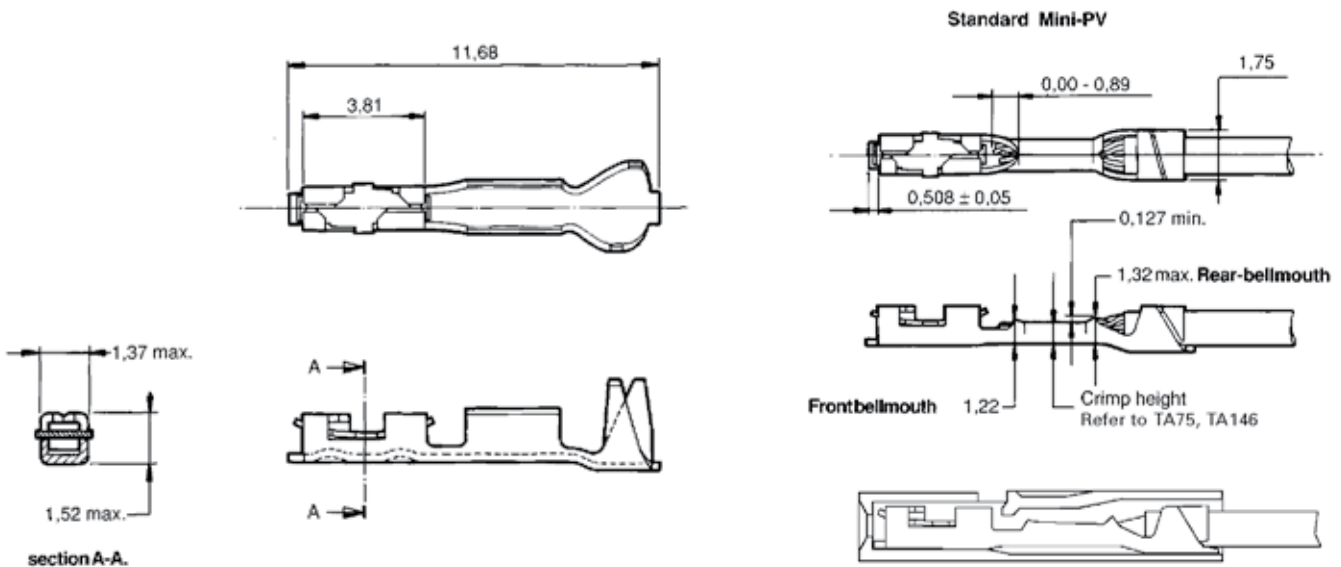
HOW TO SELECT THE RIGHT CONTACT

- Step 1** Select Application
- Step 2** Select Spring Force
- Step 3** Select Wire Size

Application	Spring Force
Housing	
40-72 Contacts Per Housing	Standard
10-50 Contacts Per Housing	High
2-20 Contacts Per Housing	Ultra High
Discrete Contact	Ultra High

Wire Size (AWG)	Application Spring Force	Part Number
18, 20 or two 22 or two 24	Standard	48276-002LF
	High	48047-002LF
	Ultra High	47566-002LF
22, 24, 26 or two 26 or two 28	Standard	47457-002LF
	High	47439-002LF
	Ultra High	47565-002LF
28, 30, 32 or two 30 or two 32	Standard	48048-002LF
	High	47437-002LF
	Ultra High	47564-002LF

PRODUCT



2.54 mm (.100")

FEATURES

- Lowest profile housing in the industry
- Designed for use with our high reliability PV™ Contact

TECHNICAL DATA

PHYSICAL

- Housing: Black thermoplastic
- Flammability rating: UL 94 V-0

ELECTRICAL PERFORMANCE

- Insulation resistance: 1×10^5 M Ω min.
- Dielectric withstanding voltage: 1000 V rms

MECHANICAL PERFORMANCE

- Contact retention to housing: 17.76 N min.

OPERATING TEMPERATURE RANGE

- 40°C to +125°C

PACKAGING

- Bags

PROCESSING INFORMATION

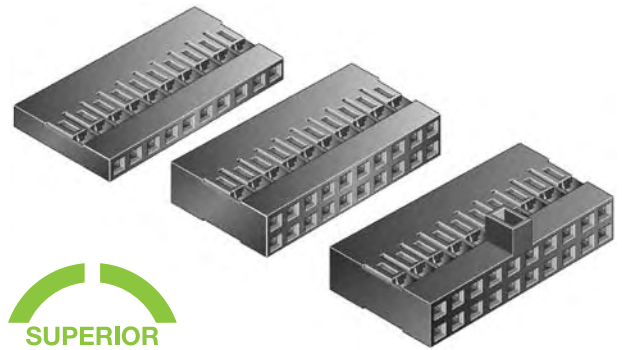
- Compatible with wave soldering processes

REFERENCE INFORMATION

- File no. E66906
- File no. LR46923
- Product drawing: By 5-digit base part number
- Product specification: BUS-12-067
- Application specification: TA-531

RoHS INFORMATION

- This product is RoHS compatible according to the European Union Directive 2002/95/IEC



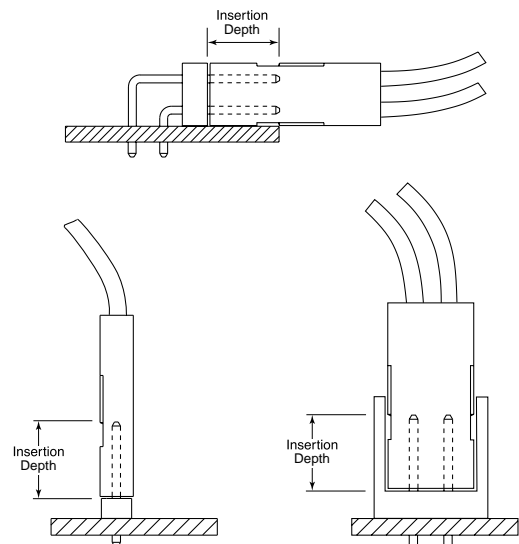
MATING DATA

- Continuous unshrouded headers 12
- Unshrouded vertical headers 8, 10
- Unshrouded right angle headers 14, 16

INSERTION DEPTH

- 4.2 mm (.165") min. to 5.3 mm (.210") max.
[provides .381 mm (.015") wipe in housing].

TYPICAL APPLICATIONS



PV™ Crimp-to-Wire Housings

2.54 mm (.100")

PART NUMBERS

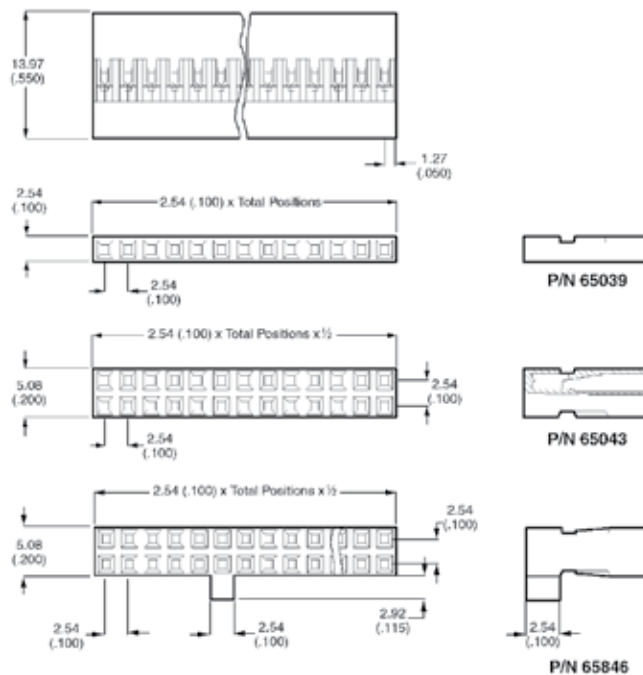


- 65039** = Single Row
- 65043** = Double Row
- 65846** = Double Row with Center Key

Total Positions	Single Row		Double Row		
	65039	78211	Total Positions	65043	65846
			4	-035	
2	-035		6	-034	
3	-034	-003	8	-033	
4	-033	-004	10	-032	
5	-032	-005	12	-031	-017
6	-031	-006	14	-030	
7	-030	-007	16	-029	
8	-029	-008	18	-028	
9	-028	-009	20	-027	
10	-027	-010	22	-026	-018
11	-026	-011	24	-025	
12	-025	-012	26	-024	-019
13	-024	-013	28	-023	-020
14	-023	-014	30	-022	
15	-022	-015	32	-021	-021
16	-021		34	-020	-022
17	-020		36	-019	-023
18	-019		38	-018	

Total Positions	Single Row		Double Row		
	65039	78211	Total Positions	65043	65846
19	-018		40	-017	-024
20	-017		42	-016	-025
21	-016		44	-015	-004
22	-015		46	-014	-026
23	-014		48	-013	-027
24	-013		50	-012	
25	-012		52	-011	-028
26	-011		54	-010	
27	-010		56	-009	-029
28	-009		58	-008	-030
29	-008		60	-007	-013
30	-007		62	-006	-031
31	-006		64	-005	-009
32	-005		66	-004	-032
33	-004		68	-003	-033
34	-003		70	-002	-034
35	-002		72	-001	-035
36	-001				

PRODUCT



2.54 mm (.100")

FEATURES

- Recessed pins assure proper alignment and eliminate damage during mating
- End windows for latching with IDC receptacle

TECHNICAL DATA

PHYSICAL

- Housing: Glass filled, thermoplastic polyester, blue
- Flammability rating: UL 94 V-0
- Pin: Phosphor-bronze
- Plating: Gold/GXT over 1.27 μm (50μ") nickel

ELECTRICAL PERFORMANCE

- Current rating: 3 A continuous
- Insulation resistance: 1x 10⁵ MΩ min.
- Dielectric withstanding voltage: 500 V rms min.

MECHANICAL PERFORMANCE

- Pin retention to housing: 20 N min.

OPERATING TEMPERATURE RANGE

- -65°C to +105°C



PACKAGING

- Tubes

PROCESSING INFORMATION

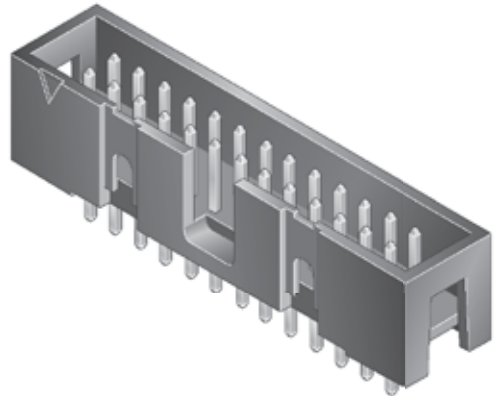
- Compatible with wave soldering processes

REFERENCE INFORMATION

-  File no. E66906
-  File no. LR46923
- Product drawing: By 5-digit base part number
- Product specification: BUS-12-082

RoHS INFORMATION

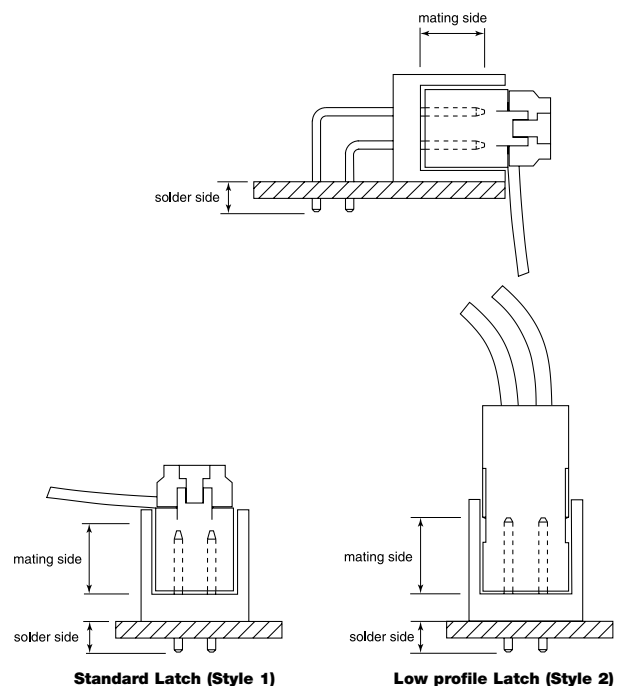
- This product is RoHS compatible according to the European Union Directive 2002/95/IEC



MATING DATA

- Quickie™ IDC receptacles 48

TYPICAL APPLICATIONS



Quickie™ Shrouded Headers, Low Profile

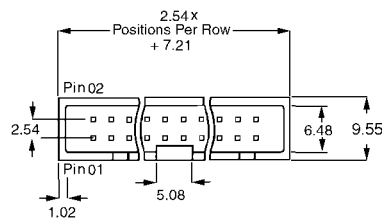
2.54 mm (.100")

PART NUMBERS

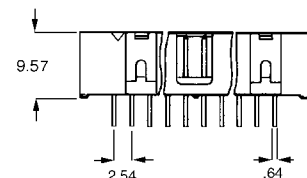
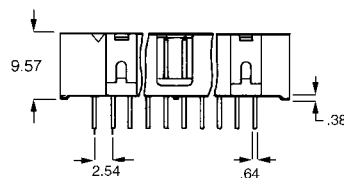
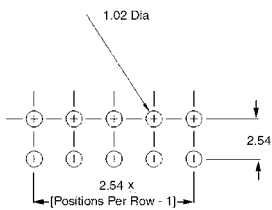
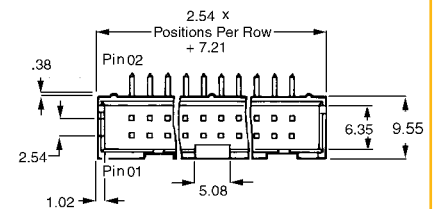
5-Digit Base Part Number	Plating	Total Positions	LF
<p>Through mount 75869 = Vertical 75867 = Right angle</p>		<p>30 = 4 pos. 31 = 6 pos. 32 = 8 pos. 01 = 10 pos. 02 = 14 pos. 03 = 16 pos. 04 = 20 pos. 05 = 26 pos. 06 = 34 pos. 07 = 40 pos. 08 = 50 pos. 09 = 60 pos. 10 = 64 pos.</p>	
<p>1 = 0.76 μm (30μ")gold/GXT on mating area, tin on solder side</p>			

PRODUCT

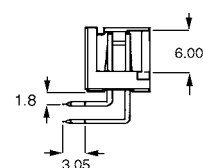
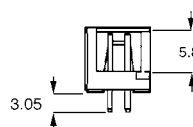
Vertical



Right Angle



Recommended PCB layouts



Dimension in mm

2.54 mm (.100")

FEATURES

- High temperature housing
- Compatible with IR reflow soldering processes
- Tape-and-Reel packaging for automatic pick-and-place

TECHNICAL DATA

PHYSICAL

- Housing: Glass filled, high temperature thermoplastic polyester, black
- Flammability rating: UL 94 V-0
- Pin: Phosphor-bronze
- Plating: Gold/GXT over 1.27 µm (50µ") nickel



ELECTRICAL PERFORMANCE

- Current rating: 3 A continuous
- Insulation resistance: 1 x 10⁵ MΩ min.
- Dielectric withstanding voltage: 500 V rms min.

MECHANICAL PERFORMANCE

- Pin retention to housing: 20 N min.

OPERATING TEMPERATURE RANGE

- 65°C to +125°C

PACKAGING

- SMT: Tape-and-reel with pick-up cap
- PiP, right angle: Tube without pick-up cap
- PiP, straight: Tape and reel

PROCESSING INFORMATION

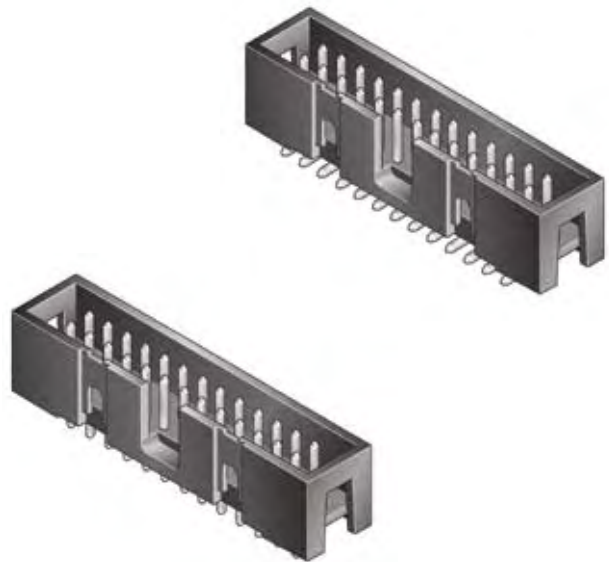
- Compatible with wave, vapor-phase, and IR reflow soldering processes

REFERENCE INFORMATION

- File no. E66906
- File no. LR46923
- Product drawing: By 5-digit base part number
- Product specification: BUS-12-055

RoHS INFORMATION

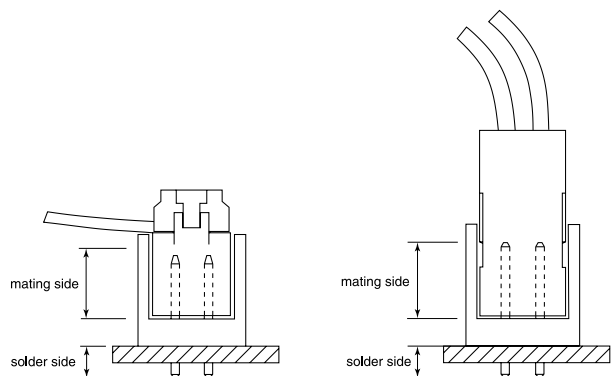
- This product is RoHS compatible according to the European Union Directive 2002/95/IEC



MATING DATA

- Quickie™ IDC receptacles 48

TYPICAL APPLICATIONS

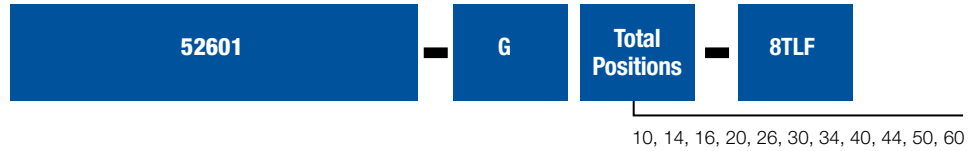


Quickie™ Shrouded Headers, Low Profile, SMT, Pin-in-Paste

2.54 mm (.100")

PART NUMBERS

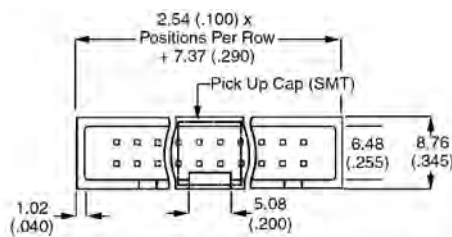
SMT (Surface Mount)



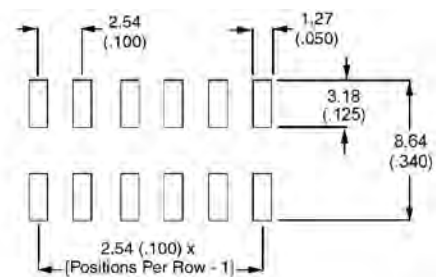
PIP (Pin-in-Paste)



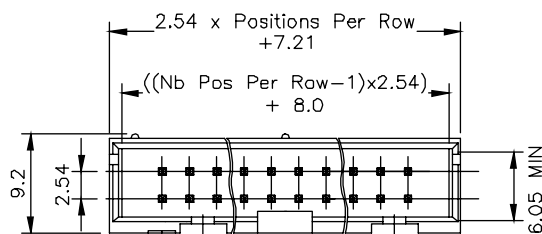
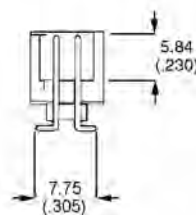
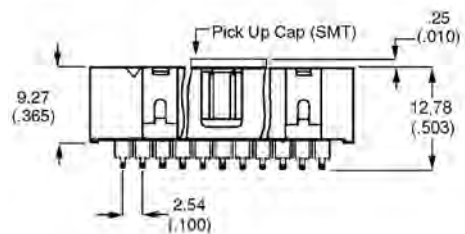
PRODUCT



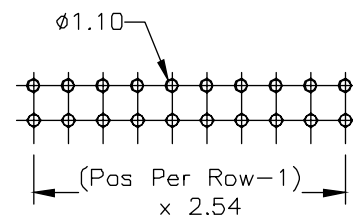
52601



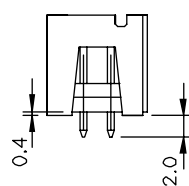
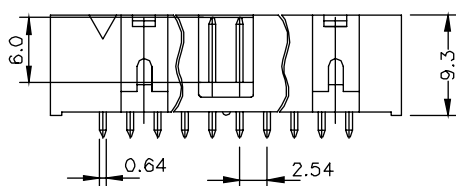
Recommended PCB layouts



10056844



Recommended PCB layouts



Dimension in mm

2.54 mm (.100")

FEATURES

- ▶ Selective plating
- ▶ Recessed pins assure proper alignment and eliminate damage during mating

TECHNICAL DATA

PHYSICAL

- ▶ Housing: Glass filled, high temperature thermoplastic polyester, grey
- ▶ Flammability rating: UL 94 V-0
- ▶ Pin: Phosphor-bronze
- ▶ Plating: Gold/GXT over 1.27 μm (50μ") nickel



ELECTRICAL PERFORMANCE

- ▶ Current rating: 3 A continuous
- ▶ Insulation resistance: 1x 10⁵ MΩ min.
- ▶ Dielectric withstanding voltage: 500 V rms min.

MECHANICAL PERFORMANCE

- ▶ Pin retention to housing: 20 N min.

OPERATING TEMPERATURE RANGE

- ▶ -65°C to +105°C

PACKAGING

- ▶ Tubes

PROCESSING INFORMATION

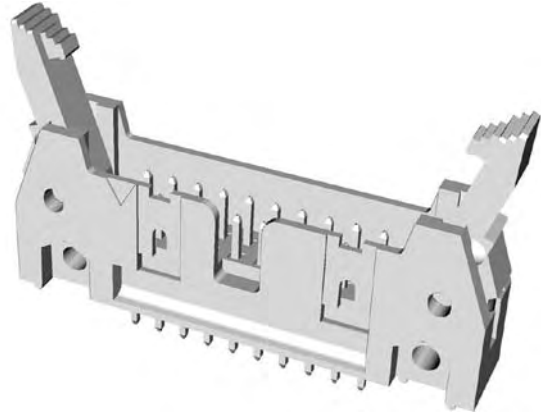
- ▶ Compatible with wave soldering processes

REFERENCE INFORMATION

- ▶ File no. E66906
- ▶ File no. LR46923
- ▶ Product drawing: By 5-digit base part number
- ▶ Product specification: BUS-12-082

RoHS INFORMATION

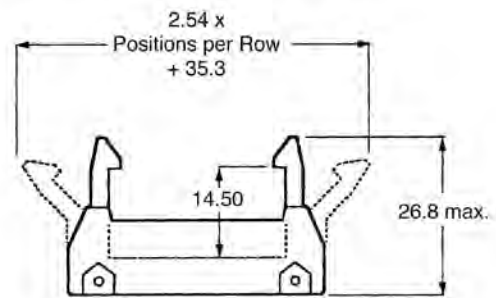
- ▶ This product is RoHS compatible according to the European Union Directive 2002/95/IEC



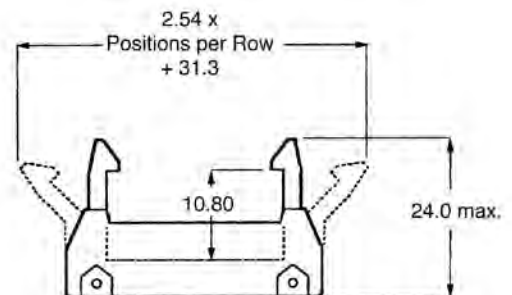
MATING DATA

- ▶ Quickie™ IDC receptacles 48

TYPICAL APPLICATIONS



Standard Latch (Style 1)

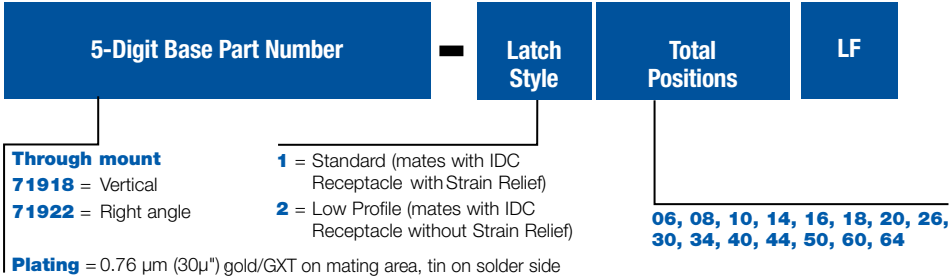


Low profile Latch (Style 2)

Quickie™ Shrouded Headers, Eject Latch

2.54 mm (.100")

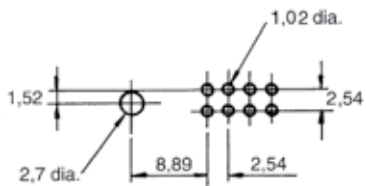
PART NUMBERS



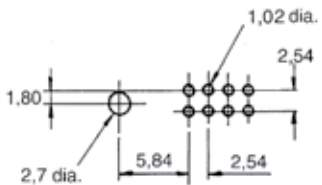
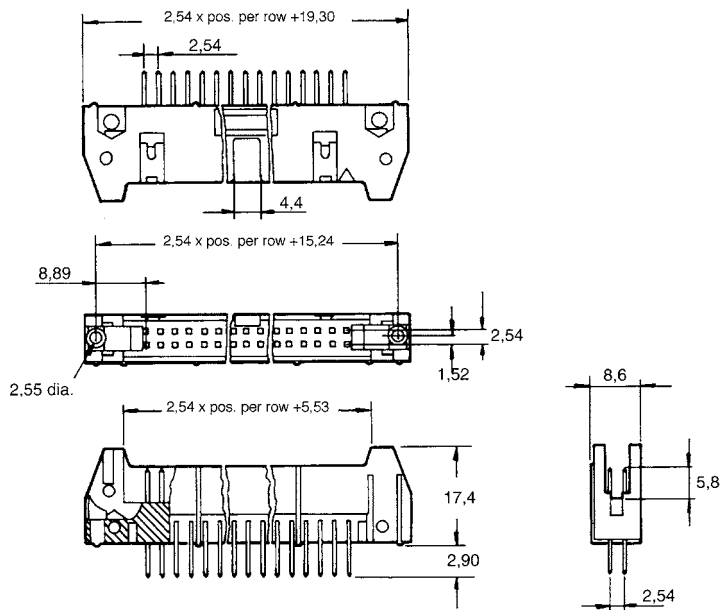
71918	-	1XXLF	CORE RANGE
71922	-	1XXLF	

XX = 06, 08, 10, 16, 20

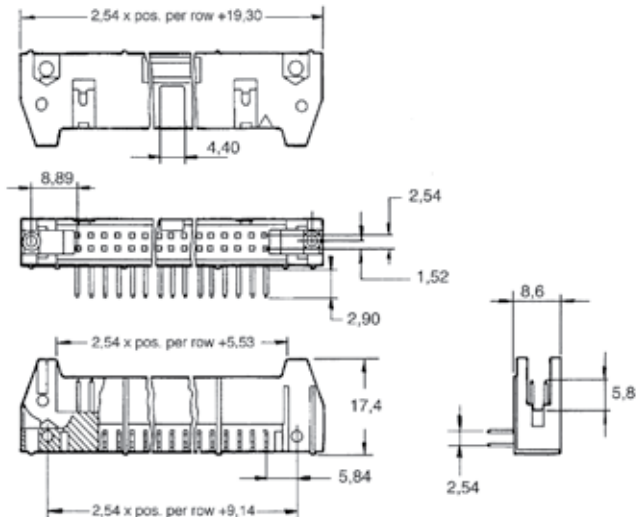
PRODUCT



Vertical



Right Angle



Recommended PCB layouts

Dimension in mm

2.54 mm (.100")

TECHNICAL DATA

PHYSICAL

- Housing: Grey thermoplastic
Flammability rating: UL 94 V-0
- Contact: Phosphor-bronze
- Plating: 0.76 μm (30μ") Gold over 1.27 μm (50 μ") nickel

ELECTRICAL PERFORMANCE

- Current rating: 1 A continuous
- Insulation resistance: 1x 10⁵ MΩ min.
- Contact resistance: 15 mΩ max.
- Dielectric withstanding voltage: 1000 V min. rms (sea level)

MECHANICAL PERFORMANCE

- Mating cycles (durability): 100

OPERATING TEMPERATURE RANGE

- -65°C to +105°C



PACKAGING

- Tubes

PROCESSING INFORMATION

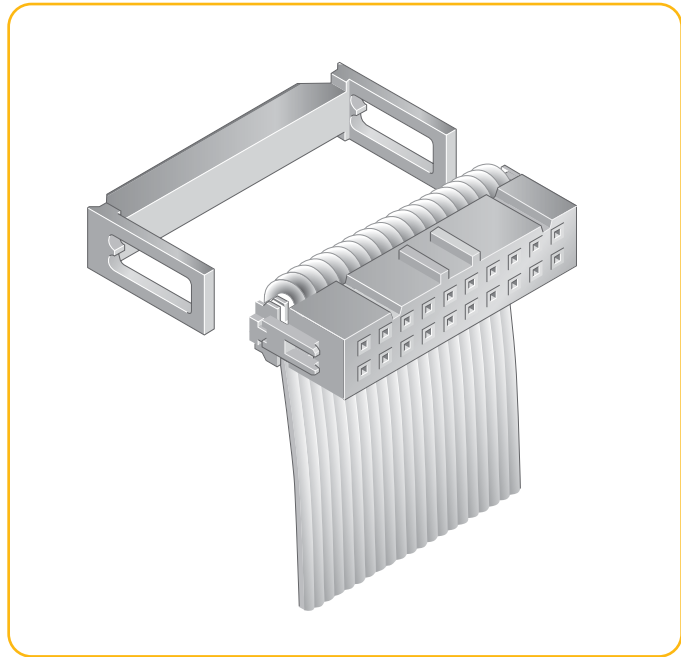
- Compatible with wave soldering processes

REFERENCE INFORMATION

-  File no. E66906
-  File no. LR46923
- Product drawing: By 5-digit base part number
- Product specification: BUS-12-095

RoHS INFORMATION

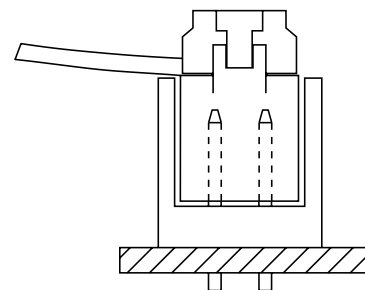
- This product is RoHS compatible according to the European Union Directive 2002/95/IEC



MATING DATA

- BergStik® unshrouded vertical headers 8, 10, 12
- Quickie® shrouded low profile headers 42, 44
- Quickie® shrouded eject latch headers 46

TYPICAL APPLICATIONS

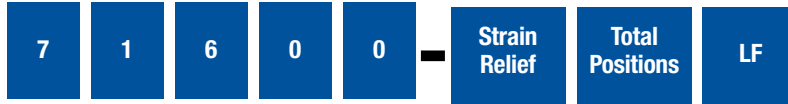


Low profile Latch (Style 2)

Quickie™ IDC Receptacle

2.54 mm (.100")

PART NUMBERS



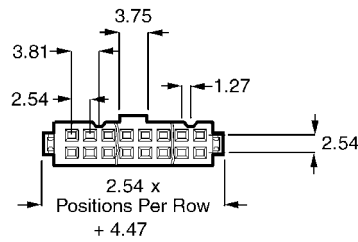
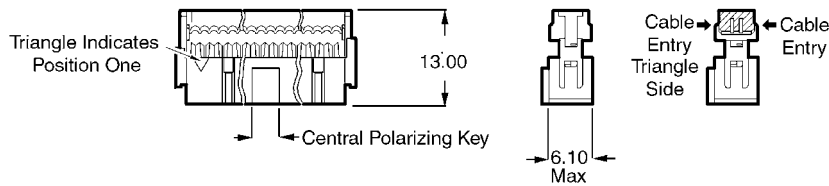
Note: 4 position available without strain relief only

04, 06, 08, 10, 14, 16, 20, 26, 34, 40, 50, 60, 64

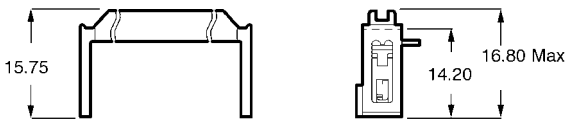
- 0 = Standard (Mates with Shrouded Eject Latch Header Latch 1)
- 1 = None (Mates with Shrouded Eject Latch Header Latch 2)
- 6 = Latching (Mates with Low Profile Headers)

71600 - 0XXLF **CORE RANGE**
 XX = 04, 06, 08, 10, 16, 20

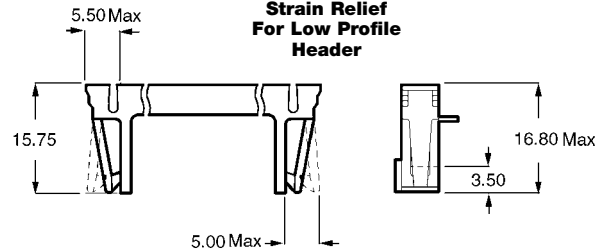
PRODUCT



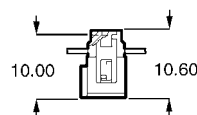
0 Standard Strain Relief



6 Latching Strain Relief For Low Profile Header



1 Without Strain Relief



Dimension in mm

2.54 mm (.100")

FEATURES

- Ideal for daisy chain applications
- Single piece design provides one of the lowest applied costs in the industry

TECHNICAL DATA

PHYSICAL

- Housing: Blue thermoplastic
- Flammability rating: UL 94 V-0
- Pin: Phosphor-bronze
- Plating: Tin over 1.27 μm (50μ") nickel

ELECTRICAL PERFORMANCE

- Current rating: 1 A continuous
- Insulation resistance: 1x 10⁵ MΩ min.
- Contact resistance: 15 mΩ max.
- Dielectric withstanding voltage: 1000 V min. rms (sea level)

OPERATING TEMPERATURE RANGE

- -65°C to +125°C



PACKAGING

- Tubes

PROCESSING INFORMATION

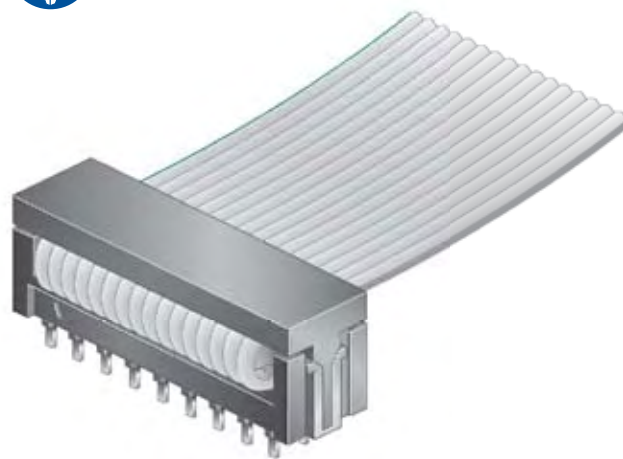
- Compatible with wave and vapor phase soldering processes — Low temperature

REFERENCE INFORMATION

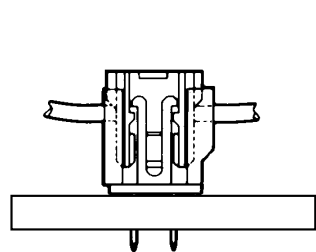
-  File no. E66906
-  File no. LR46923
- Product drawing: By 5-digit base part number
- Product specification: BUS-12-095

RoHS INFORMATION

- This product is RoHS compatible according to the European Union Directive 2002/95/IEC



TYPICAL APPLICATIONS



Quickie™ IDC PCB Connector

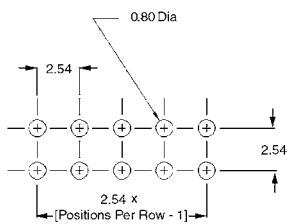
2.54 mm (.100")

PART NUMBERS

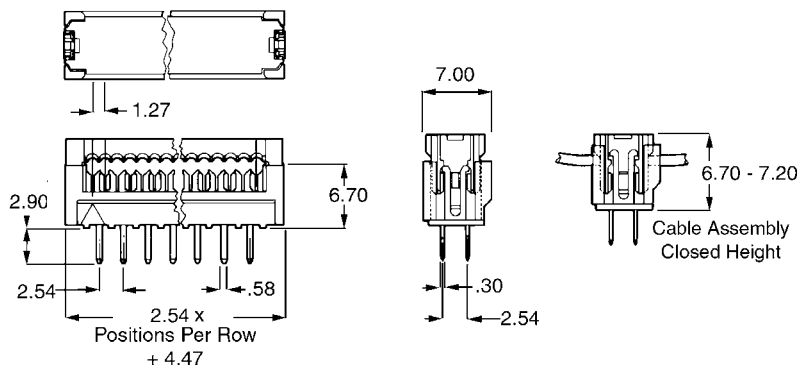


- | | | |
|---------------------|---------------------|---------------------|
| 06 = 6 pos. | 18 = 18 pos. | 34 = 34 pos. |
| 08 = 8 pos. | 20 = 20 pos. | 40 = 40 pos. |
| 10 = 10 pos. | 24 = 24 pos. | 50 = 50 pos. |
| 14 = 14 pos. | 26 = 26 pos. | 60 = 60 pos. |
| 16 = 16 pos. | 30 = 30 pos. | 64 = 64 pos. |

PRODUCT





Recommended PCB layouts



Dimension in mm

**For more information about e-catalog or FCI
sales offices, headquarters, agents and local distributors,
visit www.fci.com**



Americas - Phone: 1 (800) 237 2374  Europe - - Phone: 33 1 39 49 21 83  Asia/Pacific - Phone: 65 6549 6666

ELXBASICSO6O8EA4